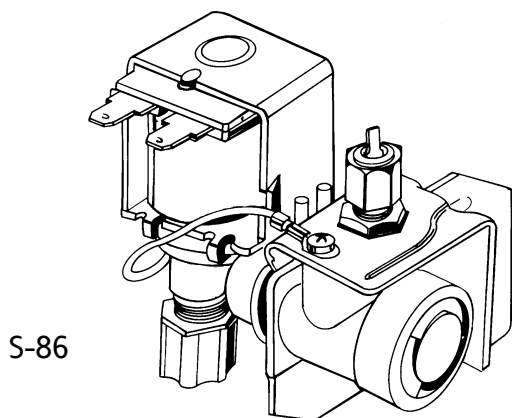


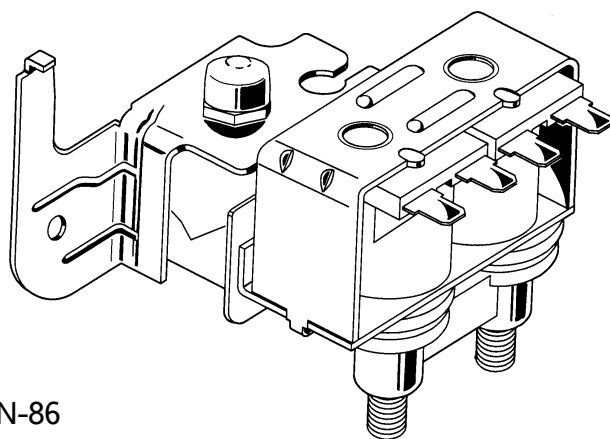
## Model S-86 and N-86 Icemaker Valves



S-86

Invensys offers both single and dual model automatic icemaker valve models with a newly designed inlet fitting. This fitting allows direct connection to 1/4"/6.35 mm tubing without an additional adapter. These models are the single S-86 and the dual N-86, for domestic refrigerator icemakers. The N-86 allows individual control of flow through two outlets using a single inlet for water to the door, and water to fill the icemaker.

These solenoid valves have a pilot-operated diaphragm that provides high flow capacity with minimum power requirements. The nylon encapsulated coil on these inlet valves provides high mechanical and di-electric strength, and is moisture resistant.



N-86

The Invensys Icemaker Valve has a unique diaphragm design which reduces the possibility of unwanted particles entering the armature area. The armature is designed with clearances which minimize the possibility of jamming due to foreign materials.

These valves have polypro bodies which provide high resistance to corrosion and mineral deposits, and will withstand water temperatures of up to 160°F / 71°C. All Siebe Icemaker Valves operate between 20 to 120 PSI / 0.14 to 0.83 mPa / 1.36 to 8.16 atm.

Model	Flow Rates	Inlet	Outlet
S-86	0.06 to 0.60 GPM	1/4" flare, loxit or compression	7/16" - 20 UNF
N-86	0.06 to 0.60 GPM	1/4" flare, loxit or compression	7/16" - 20 UNF 1/2" - 20 UNF

