

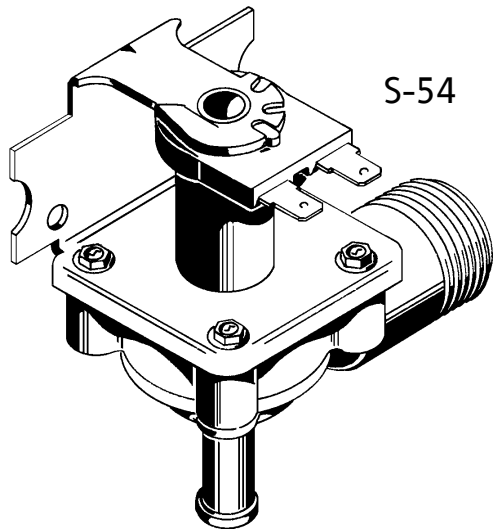
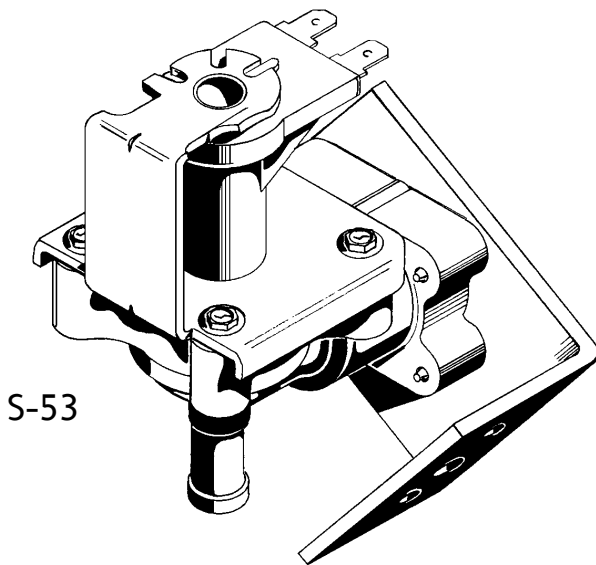
Model S-53 and S-54 Dishwasher Valves

Invensys makes several different models of single solenoid valves for dishwashing machines. The most common are S-53 and S-54.

The S-53 features the design combination of a brass inlet fitting and a mounting bracket, which allows direct connection to the supply plumbing without applying torque to the valve body. The S-54 features a design for use specifically with garden hose inlet connections on portable dishwashers. Both valve models also have a reduced air gap operator, or water hammer suppression feature.

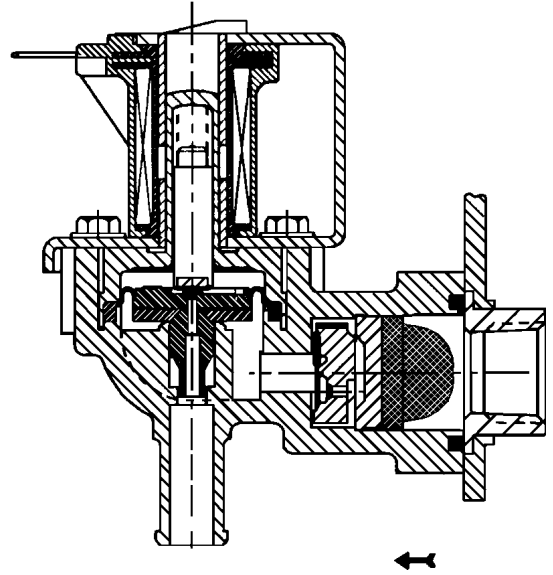
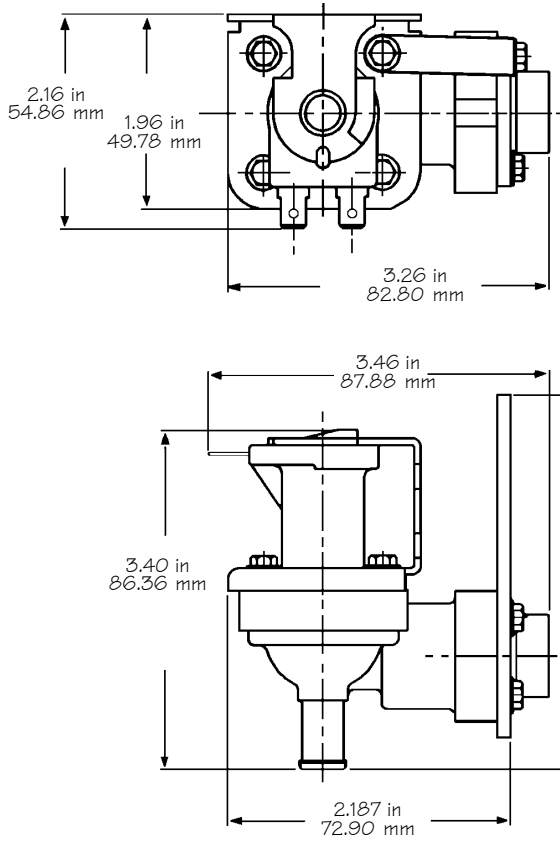
These valves have a pilot-operated diaphragm design which reduces the possibility of unwanted particles entering the armature area. The armature is designed with clearances which minimize the possibility of jamming due to foreign materials.

Invensys dishwasher valves are available in nylon or polypro bodies designed to cope with a variety of adverse water conditions throughout the country and withstand water temperature of up to 160°F/71°C. All Siebe dishwasher valves operate from 20 to 120 PSI/ 0.14 to 0.83 mPa/1.36 to 8.16 atm.



Model	Flow Rates	Inlet	Outlet
S-53	0.75 to 3.00 GPM	3/8"-18 FNPT	3/8" Hose
S-54	0.75 to 3.00 GPM	3/4"-11 1/2 NHT	3/8" Hose

S-53



S-54

