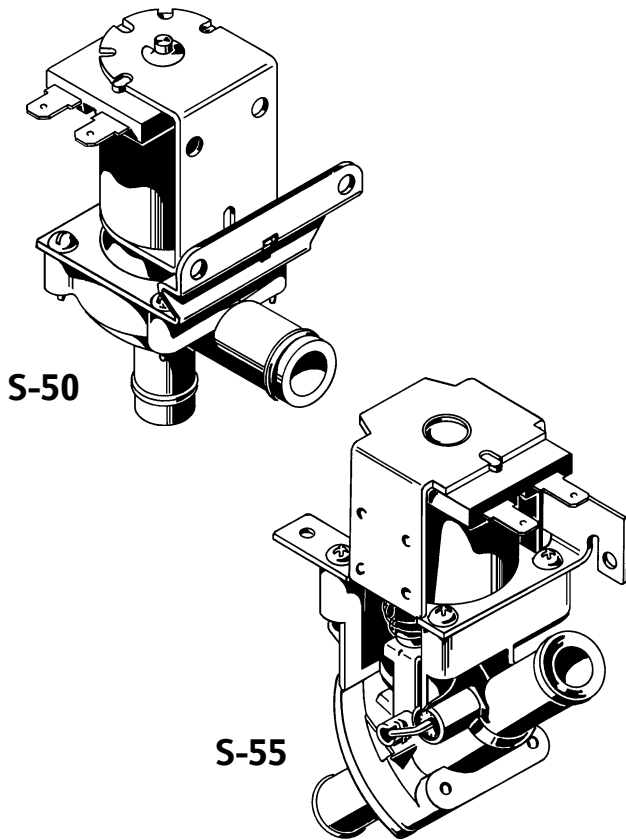


Models S-50 and S-55 Dishwasher Drain Valves

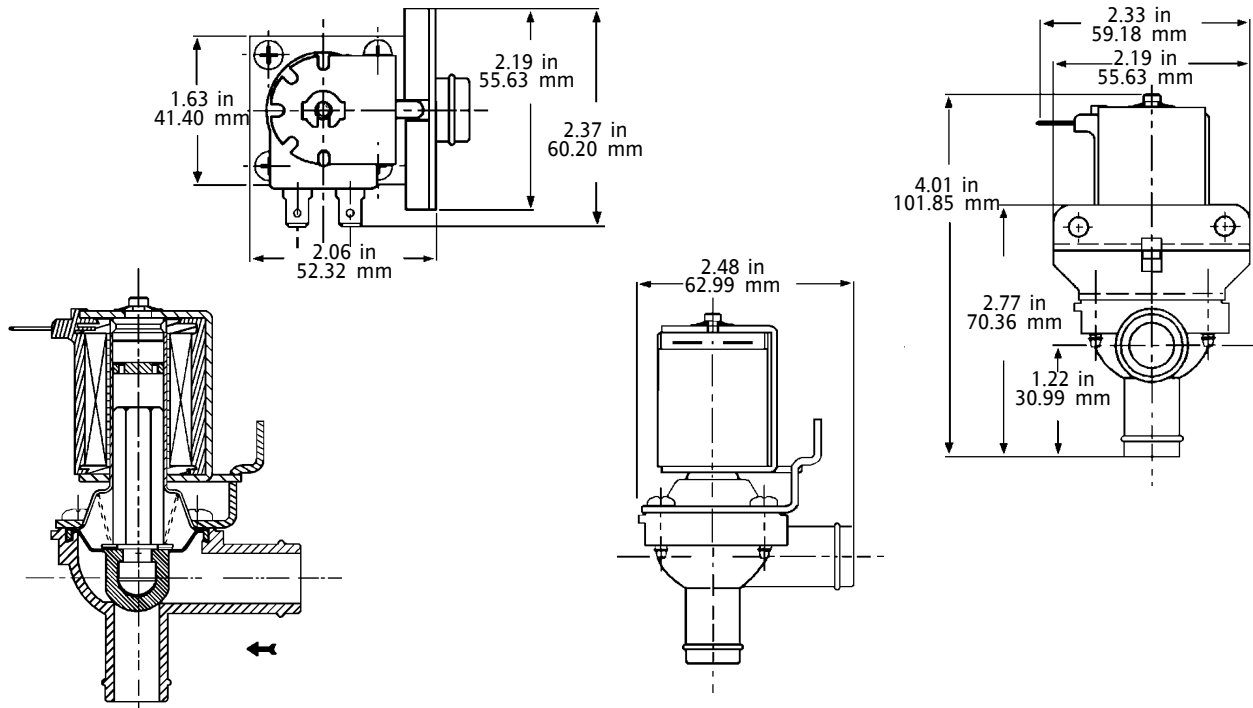


Invensys makes two different dishwasher drain valve models, the S-50 and the S-55. Both models are excellent for use in automatic dishwashers because they are capable of handling large particles in the fluids. The way the valve body is configured prevents foreign material from interfering with the drain function. Aside from their appearance, there are several functional differences between these models, illustrated by the following chart and drawings.

These direct-acting solenoid valves provide high flow at low head pressure. The encapsulated coil provides high mechanical and di-electric strength, and is moisture resistant. The bodies are made of Polypro and are suitable for applications using liquids up to 160°F / 71° C.

Model	Operating Pressure	Inlet	Outlet	Volts	Herz	Watts
S-50	Up to 18 Ft Head Pressure 0.05 mPa/0.53 atm	3/4" ID Hose 19.05 mm ID	5/8" Hose 15.87 mm ID	120 —	50/60 —	30 —
S-55	0-7 PSI 0-0.05 mPa/0-0.4 atm	11/16" ID Hose 17.46 mm ID	5/8" Hose 15.87 mm ID	120 —	60 —	28 —

S-50



S-55

