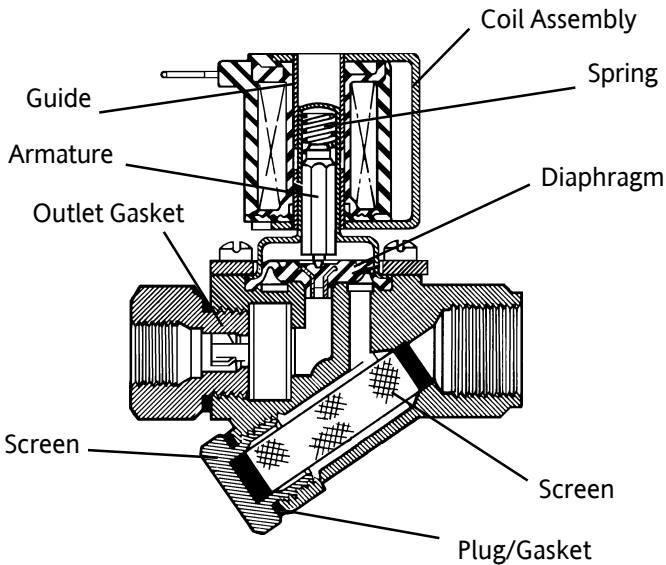
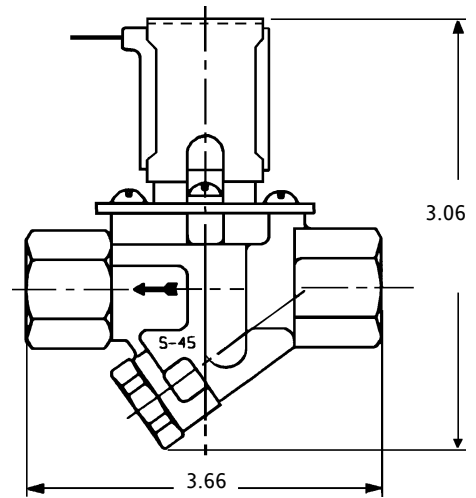


Model S-45 Solenoid Valve



Invensys offers three voltages in the S-45PH model series of general purpose water valves for energy-conserving plumbing and heating applications. Each valve has an encapsulated coil which provides high mechanical and de-electric strength, and is moisture resistant.

The S-45 has a pilot-operated design which provides flow capacity with minimum power requirements. Each valve has a strainer for the protection of both the valve and the appliance. The S-45PH meets UL's requirements for intermittent duty operation.



There is a repair kit available for the S-45 model which includes a coil assembly, guide, spring, armature, diaphragm, plug/gasket and screen. Please order these kits by their specific voltage rating, either RKS-24, RKS-120 or RKS-240.

- Body Material: Brass Forging
- Connections: $\frac{3}{8}$ " 18 FNPT Inlet/Outlet
- Flow Rate: Up to 5 GPM
- Maximum Water Temp.: 160°F
- Mounting: Direct
- Operating Pressure: 20 PSI to 120 PSI
- Terminals: $\frac{1}{4}$ " Male
- Voltages: 24V, 120V and 240V