

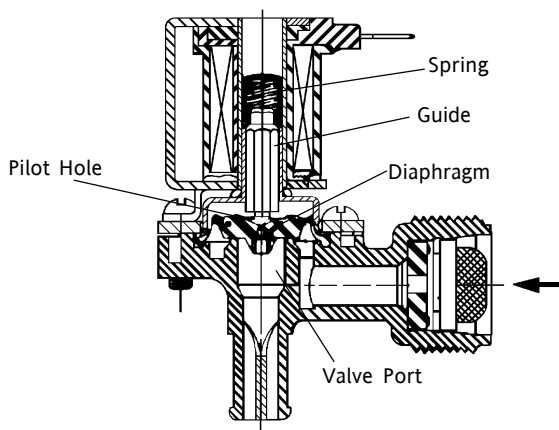
Model S-30 Solenoid Valves



Invensys offers three different voltages in the S-30-PH model series of general purpose inlet water valves for energy-conserving plumbing and heating applications. Each valve has an encapsulated coil which provides high mechanical and di-electric strength, and is moisture resistant.

In addition to plumbing and heating applications, this valve model can be used in domestic dishwashers and icemakers as well as commercial ice machines. It has a pilot-operated design that provides flow capacity with minimum power requirements.

The body material provides high resistance to corrosion and mineral deposits. Each valve has a strainer for the protection of both the valve and the appliance. The S-30-PH meets UL's requirements for intermittent duty.



Body Material: Nylon

Connections: $\frac{3}{4}$ " - 11 NHT Inlet
 $\frac{1}{2}$ " ID Hose Outlet

Flow Rate: Up to 14 GPM

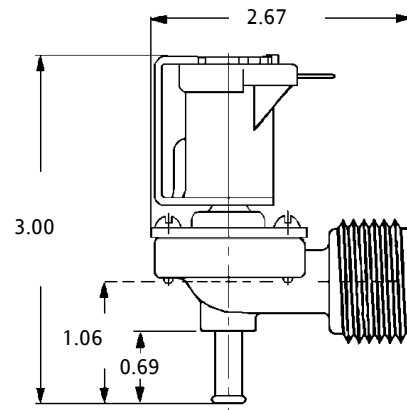
Max. Water Temp: 160°F

Mounting: Direct

Operating Pressure: 20 PSI to 120 PSI

Terminals: $\frac{1}{4}$ " Male

Voltages: 24V, 120V, & 240V



(120V Valve Shown)