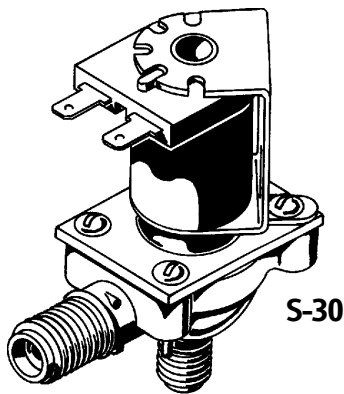
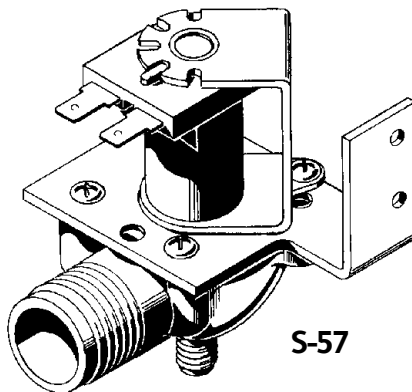


Models S-30 and S-57 Icemaker Valves



The S-30 and S-57 were designed for low flow applications in domestic refrigerator icemakers, and commercial ice machines.

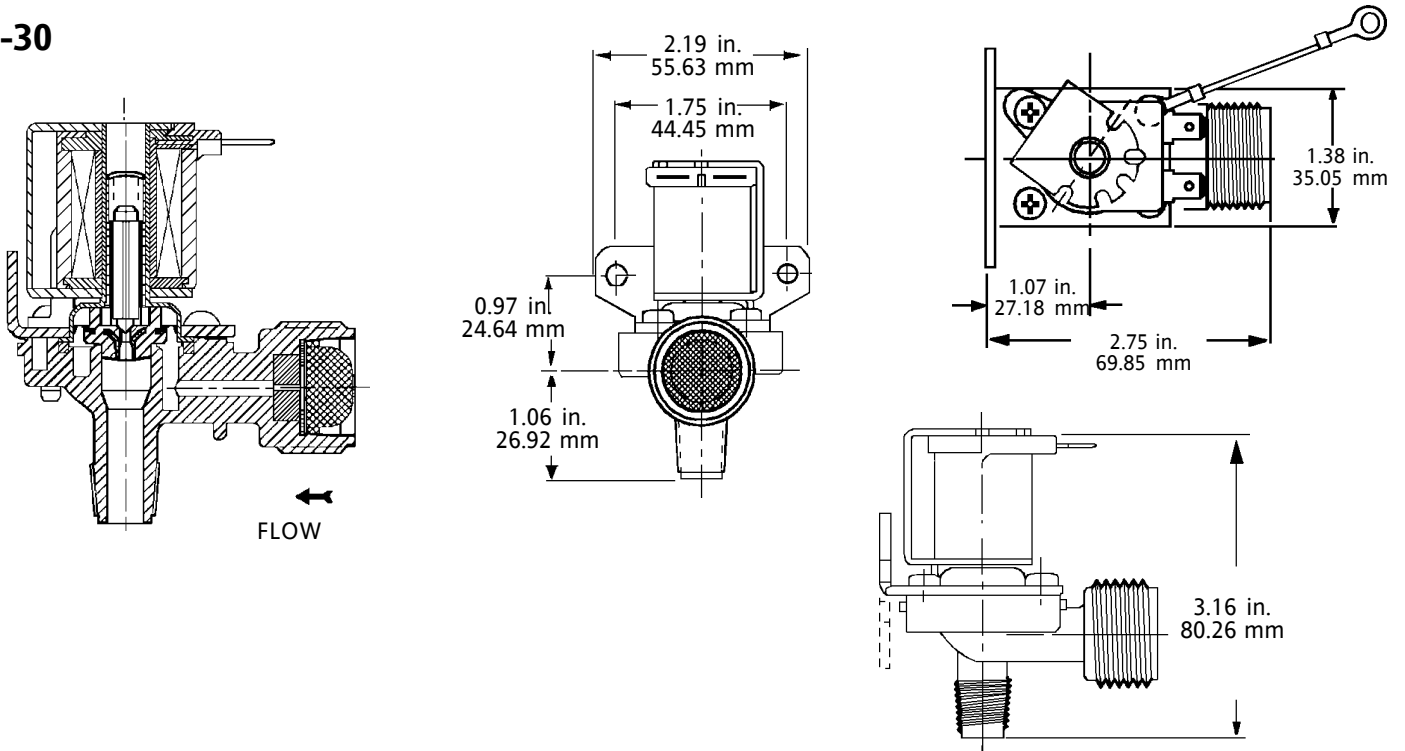
These single solenoid valves have a pilot-operated diaphragm that provides high flow capacity with minimum power requirements. The nylon encapsulated coil on these inlet valves provides high mechanical and di-electric strength, and is moisture resistant.



The Invensys Icemaker Valve has a unique diaphragm design which reduces the possibility of unwanted particles entering the armature area. The armature is designed with clearances which minimize the possibility of jamming due to foreign materials.

Some of these valves have nylon bodies, but most of the S-30s and S-57s have polypro bodies which provide high resistance to corrosion and mineral deposits, and will withstand water temperatures of up to 160° F/71° C. All Invensys Icemaker Valves operate between 20 and 120 PSI/0.14 and 0.83 mPa/1.36 and 8.16 atm.

S-30



S-57

