

RS Series Rotary Switches



Design Features

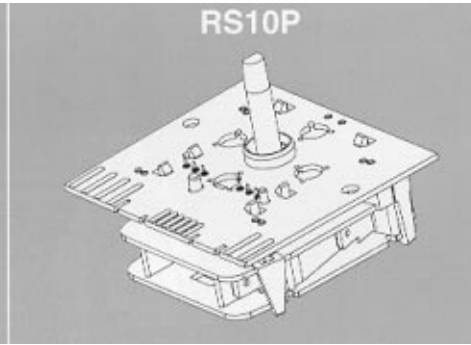
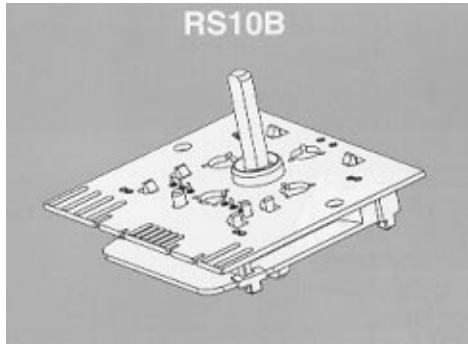
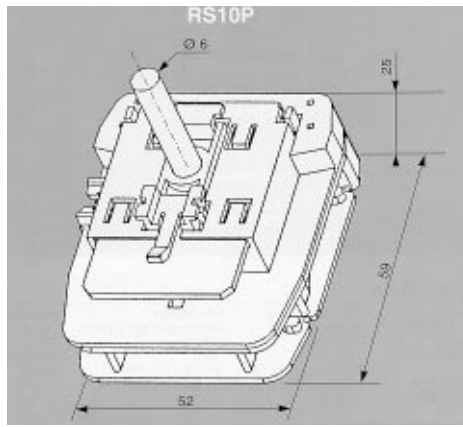
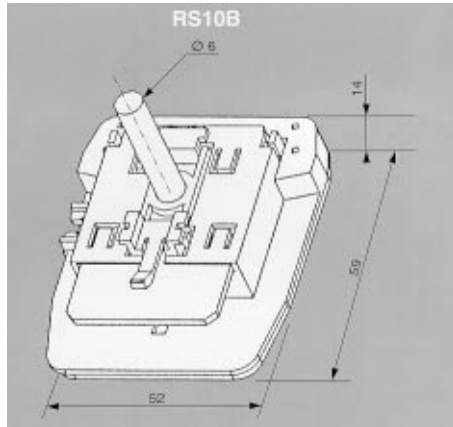
- Rotary Switch with binary coded outputs and power switches output
- Program selection, temperature, speed...
- Plastic shaft Ø 6 mm length 0 to 50 mm
- Snap mounting on to PCB or by screw M3 or M4 - 28 mm
- Minimum life: 10,000 operations

The RS 10 Series Rotary Switch provides the user a traditional look and feel during program setting when used with today's full electronic controls.

Using very low voltage coding contacts, single or double pole mains ON / OFF switch options are also available.

Specifications

- Electrical Features:
Digital coding (Gray coding) -
switch resistance: $\leq 30 \text{ m}\Omega$
5 to 12 volts with $I = 10 \text{ mA}$
- Power contact
breaking capacity 16 (4) A / 250 V
Contact opening 3 mm
max 4 SPDT outputs with 6,35 terminals
- Insulation class II
- Setting positions: 6 min., 32 max,
max. angle between 2 positions: 60°
clockwise and anti-clockwise
- Ambient temperature: mini - 10°C
maxi +85°C
- Approvals: EN 60 730.1, EN 60 730.2.1



Rotary-Switch	Functions	Rotary-Switch with Power Contacts
Program Temperature & Speed Selection	Typical Applications	Program selection with main On/Off
	Number of Setting Positions	24
32	Setting Direction	Clockwise or Anti-clockwise
Clockwise or Anti-Clockwise	Integrated in PCB	Yes
Yes	Power Switches	2 SPST or 2SPDT 16A/250V with 3 mm gaps
	Coding Switches	1 Common + 5 Bits
1 Common + 5 Bits	Insullation Class	II
II		