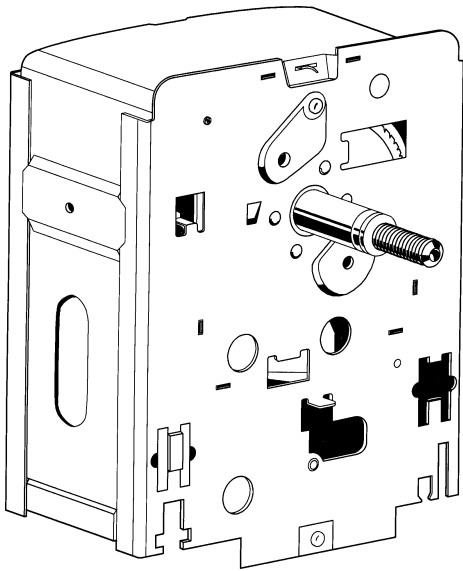


Program Timers for Clotheswashers and Dishwashers

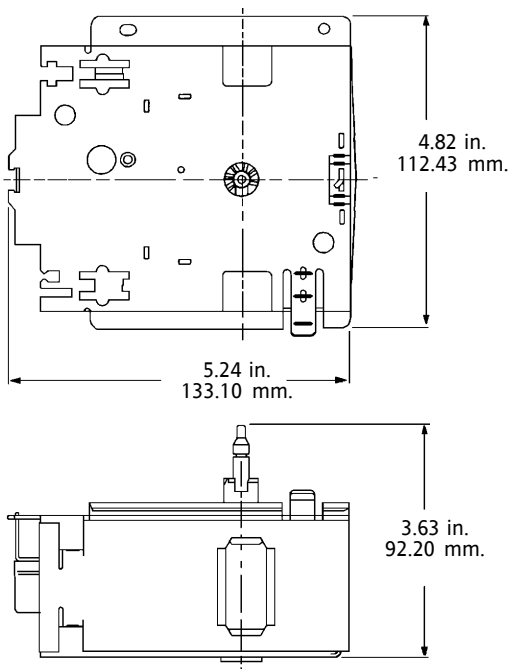


Invensys offers a complete line of plug-in electromechanical program timers for operation in both domestic and commercial laundry equipment. They function using repetitive, multi-circuit, close tolerance timing.

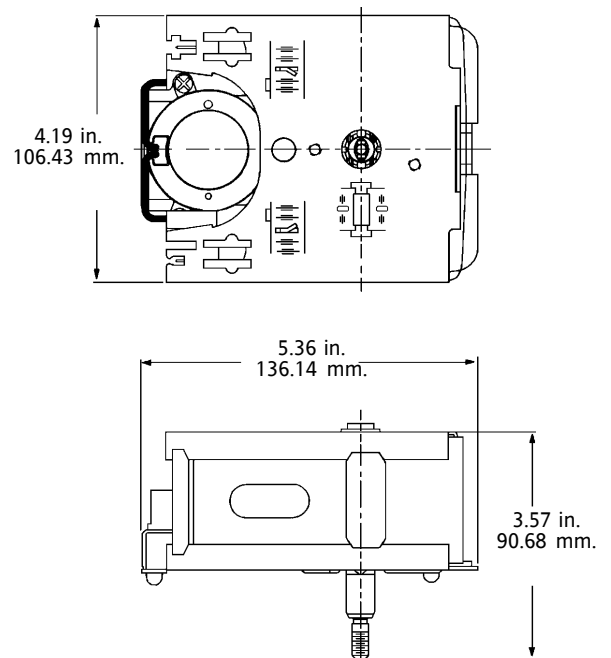
A key feature of the Invensys program timer is the driving mechanism, which provides for flexibility and accuracy in controlling timing functions. Switches are SPDT (single pole double throw). Electrical ratings are 125 and 250 VAC at 50/60Hz. All controls are UL and CSA recognized.

Timing functions are controlled by high accuracy cams molded as a single unit. This assures repeatable sequencing between switch functions where required. Connections to the timer terminals have been provided for quick disconnect plugs. Terminals are typically 0.125" by 0.020". Mounting and shaft configurations vary from timer to timer.

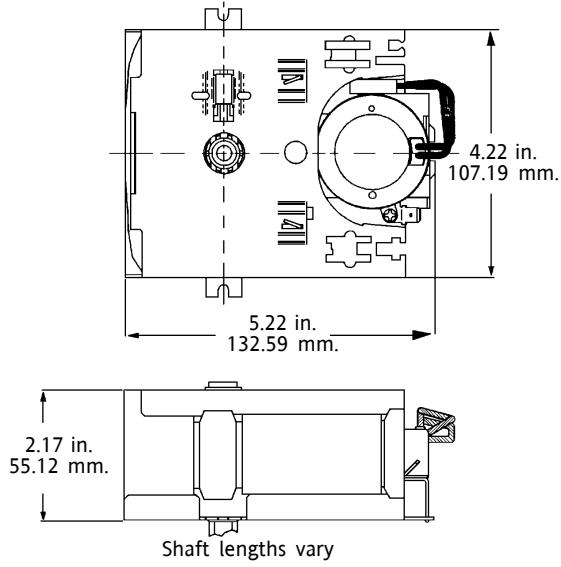
Typical dimensions
for clotheswasher timers,
Variation 1



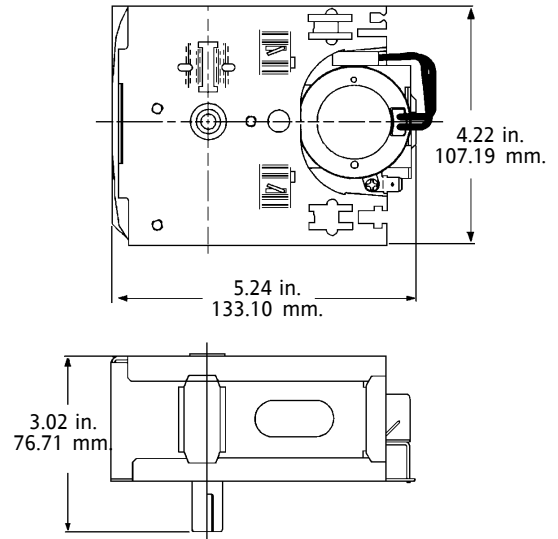
Typical dimensions
for clotheswasher timers,
Variation 2



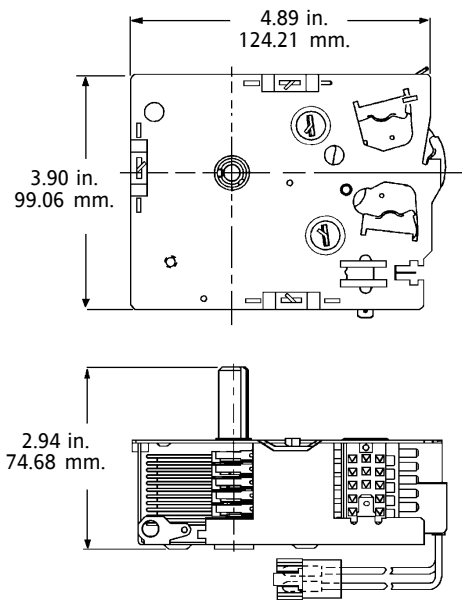
Typical dimensions for
clotheswasher timers,
Variation 3



Typical dimensions for coin-op
clotheswasher timers.



Typical dimensions for
dishwasher timers,
Variation 1



Typical dimensions for
dishwasher timers,
Variation 2

