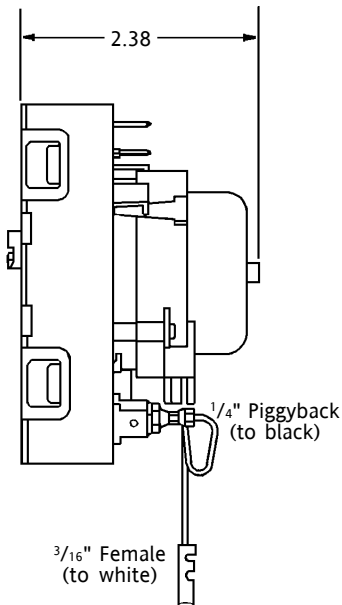
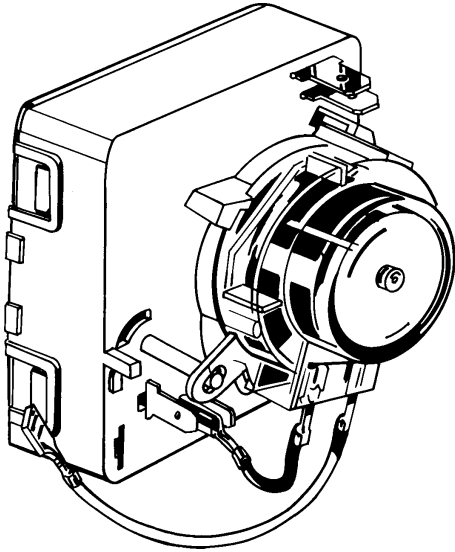


Oven Timer



The self-cleaning oven timer is used to control the broil and bake heat sources of either gas or electric ranges to provide a self-cleaning oven feature.

Features

- 1/4" Male Tab Quick Connect Terminals.
- Up to 25 Amp 240V switch rating.
- UL approved in ambient temperatures up to 180° F.
- Custom switching program to match specific cleaning cycle requirements.
- Two way clutch allows timer to be manually turned for rapid service.

Options

- Timer motors available for 120 or 240 Volts AC, 50 or 60 Hz.
- Custom shaft configurations.
- Custom mounting configurations.

