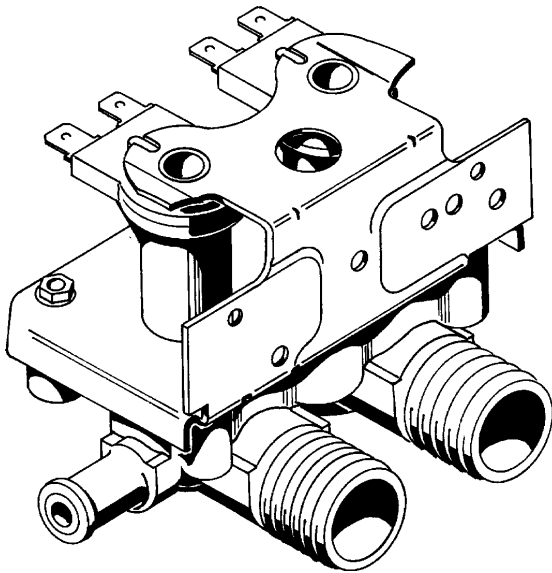


Model N-50 and N-51 Clotheswasher Valves

N-50

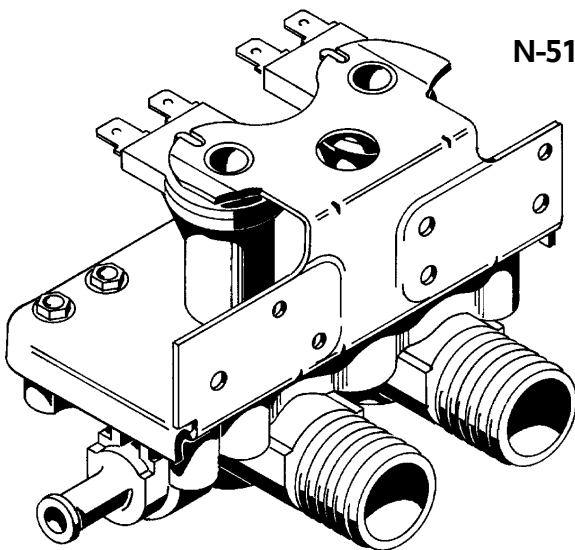


Invensys makes two basic models of dual pilot operated valves in a common compact body for use as mixing valves in clotheswasher applications, the N-50 and the N-51. The N-50 was designed for applications where no flow control is required. The N-51 was designed for applications where a flow control is required. Both models also have the reduced air gap operator, or water hammer suppression feature.

The nylon encapsulated coil on these valves provides high mechanical and di-electric strength, and is moisture resistant. Their unique diaphragm design reduces the possibility of foreign materials entering the armature area.

Invensys laundry mixing valves have polypro bodies which will withstand water temperatures of up to 160° F/71° C. All Invensys clotheswasher valves operate from 20 to 120 PSI/0.14 to 0.83 mPa/1.36 to 8.16 atm.

N-51



Flow Rates

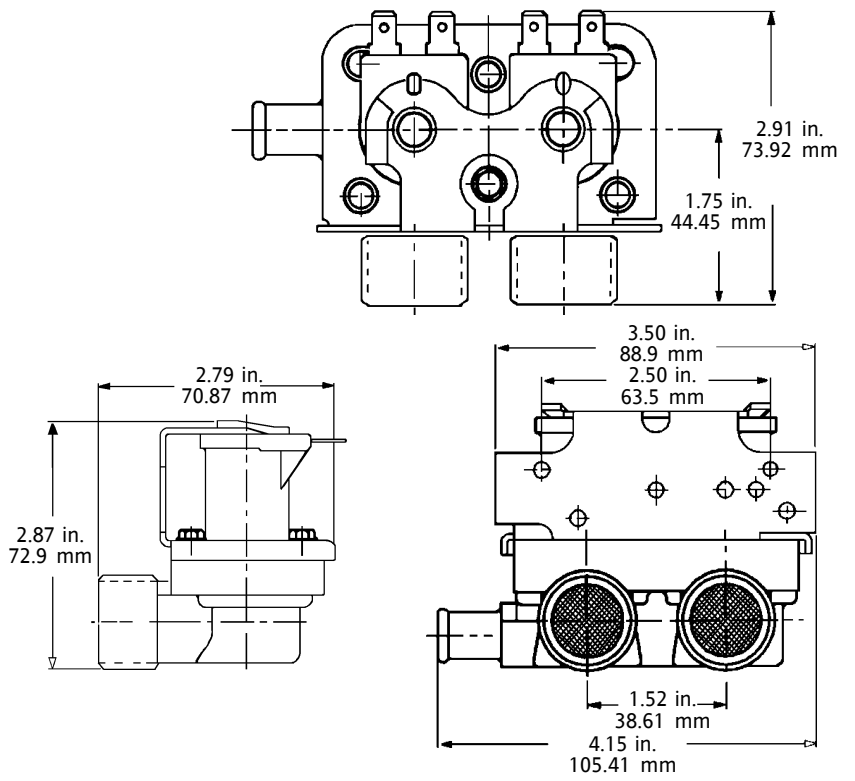
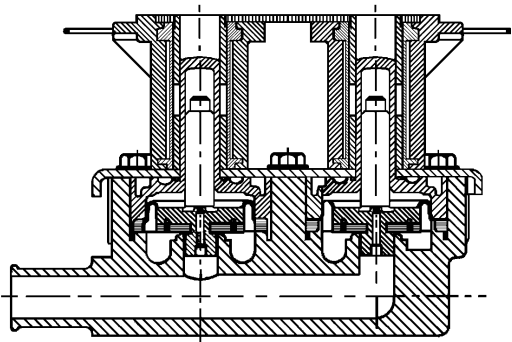
1.0 to 6.0 GPM

Connections

$\frac{3}{4}$ " 11 $\frac{1}{2}$ NHT Inlet

$\frac{3}{8}$ " or $\frac{1}{2}$ " ID Hose Outlet

N-50



N-51

