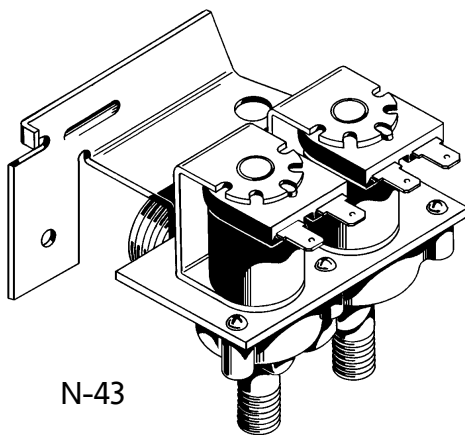
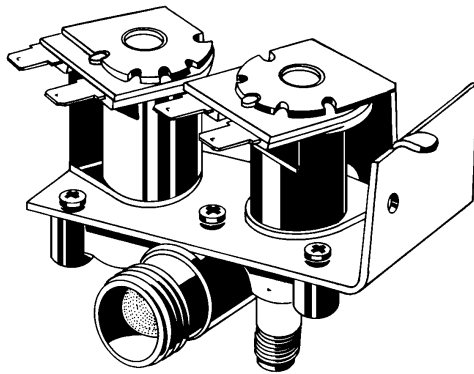


Model N-43 and N-83 Icemaker Valves



N-43



N-83

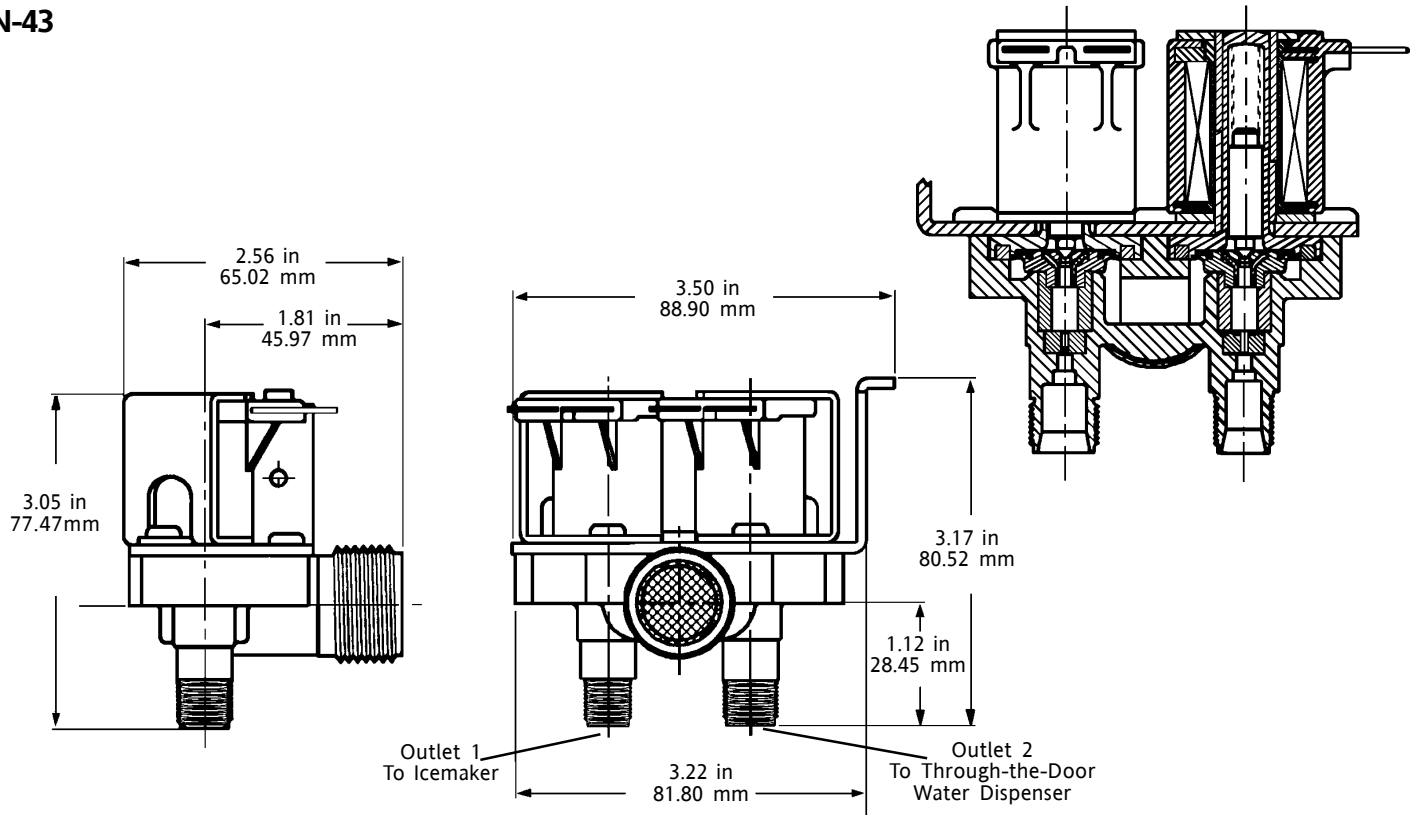
Invensys makes two similar models of dual Icemaker Valves, the N-43 and the N-83, which were created to fill domestic refrigerator icemakers. Both allow individual control of flow through two outlets using a single inlet. They were designed to dispense water on one side and water for ice on the other. Depending on the chosen configuration, both outlets can be controlled at the same flow rate, or each can be controlled at a different flow rate.

These solenoid valves have a pilot-operated diaphragm that provides high flow capacity with minimum power requirements. The nylon encapsulated coil on these inlet valves provides high mechanical and di-electric strength, and is moisture resistant.

The Invensys Icemaker Valve has a unique diaphragm design which reduces the possibility of unwanted particles entering the armature area. The armature is designed with clearances which minimize the possibility of jamming due to foreign materials. These valves have polypro bodies which provide high resistance to corrosion and mineral deposits, and will withstand water temperatures of up to 160F° / 71C°. All Invensys Icemaker Valves operate from 20 to 120 PSI / 0.14 to 0.83 mPa /1.36 to 8.16 atm.

Model	Flow Rates	Inlet	Outlet
N-43	0.1 to 6.00 GPM	3/4"-11 1/2 NHT	7/16" - 20 UNF 1/4" - 20 UNF
N-83	0.06 to 0.60 GPM	3/4"-11 1/2 NHT	1/2" - 20 UNF 7/16" - 20 UNF

N-43



N-83

