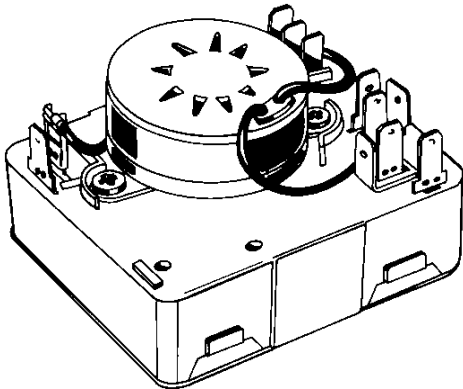
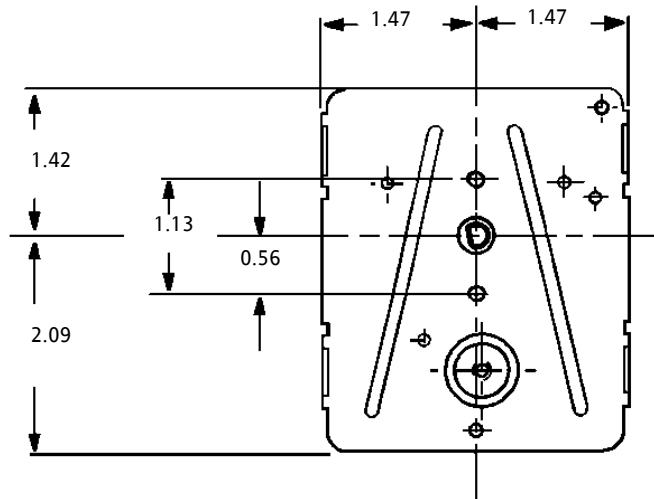


Multi-Purpose Timer



Specifications

- Electrical Ratings:
 - Motor: 24 through 240 VAC, 50 or 60Hz, 3 watts
 - Switch: 25 Amps, 250 VAC, 50/60 Hz
 - 1/3 HP, 125/250 VAC, 50/60 Hz
 - 1 amp, 125/250 VAC, 50/60 Hz
- Electrical Connections:
 - 1/4" male quick-connect terminals.
 - [0.250 x 0.032 inch / 6.35 mm x 0.81 mm]
- Shaft diameter: Per customer requirements.



This Invensys timer allows manufacturers to specify a uniquely expanded or compressed time cycle to fit their individual application requirements. Cycle time can be anywhere between 2 minutes and 4 hours. The timer uses a permanent magnet synchronous motor.

Features

- Two-way clutch allows timer to be manually set by turning in either direction.
- UL approved in ambient temps of up to 180° F.
- Maximum capacity of 6 circuits.

Options

- Custom switching program to match specific cycle requirements.
- Custom shaft lengths and configurations.

