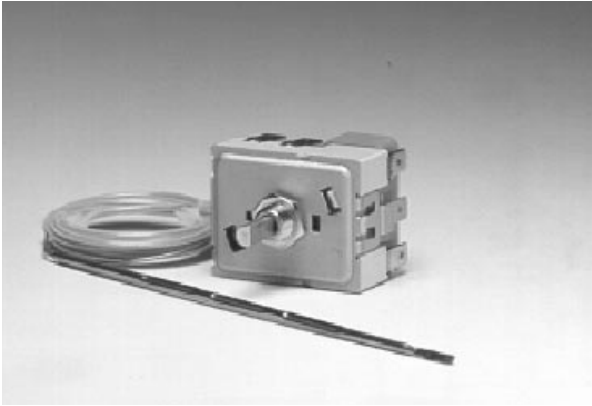


## Multi-Function Oven Control



The Invensys Appliance Controls Multi-Function Oven Control combines a wide range of switching combinations with a thermostatic control, in a single package.

For example, Fan, Grill, Oven Light and Bake switches plus a cycling thermostat for oven temperature can all be combined in the one compact control.

Due to the flexible design of the control, the grill temperature can be set higher or lower than the bake temperature.

### Design Features

- Push-to-turn option
- Single phase input supplying all outputs
- Customer specified detents
- Temperature setting can be specified at any position
- Mechanical positive OFF as a standard feature

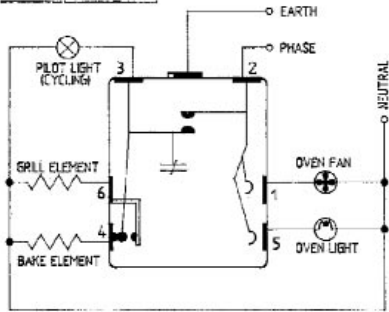
### Specifications

- 240 Volts AC, 16 Amp
- Capillary length of 1400 +/- 5 mm
- Palnut or screw mounting
- Ambient rating -35° C to 155° C (T150)
- 6.3 mm spade terminals

### Advantages

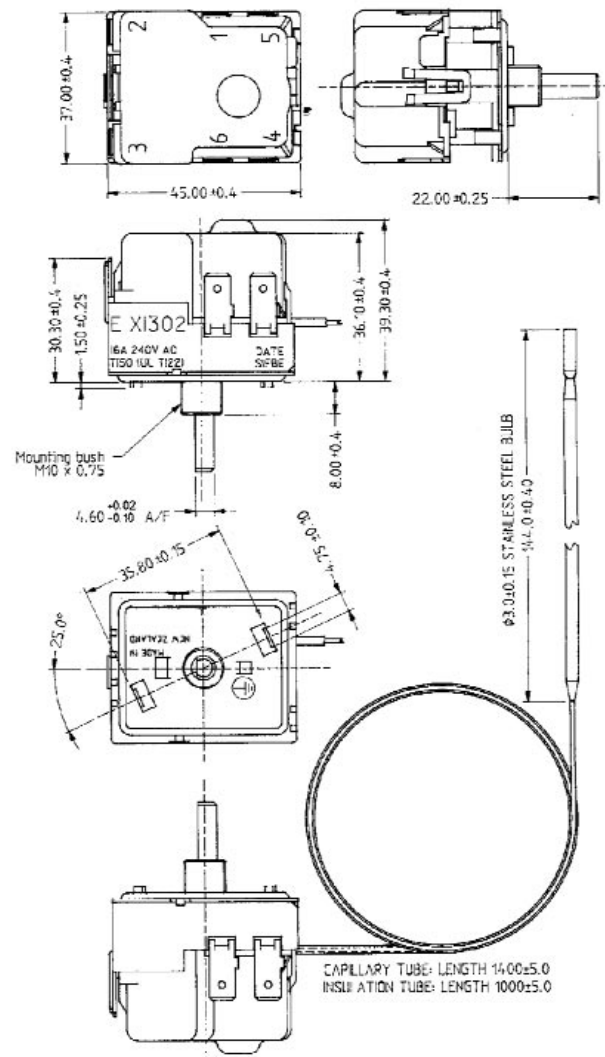
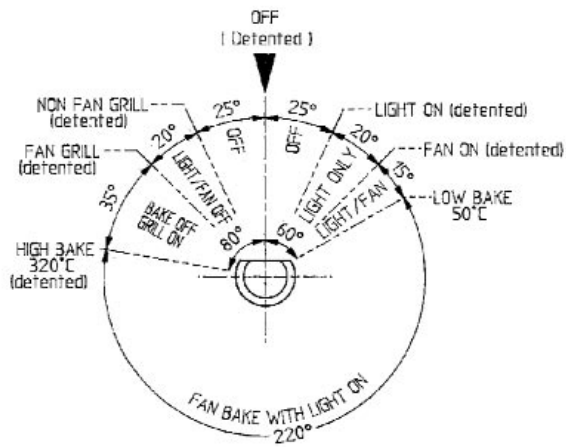
- Lower wiring costs in the appliance
- Simple wiring with no loop or jumper wires due to built-in features.
- Superior and flexible design
- Minimizes requirements for stock and spare parts
- Quiet switching with low EMC level for interference free applications.

**WIRING DIAGRAM**



**CALIBRATION & SETTINGS**

(DIAL SHAFT SHOWN IN "OFF" POSITION)



**SWITCHING SEQUENCE**

