



Appliance Controls

K & S Series Electric Thermostat



The K & S Series is a snap acting, single-pole, single throw type thermostat. The use of 30 amp silver contacts and heavy duty terminals give them durability and sustained accuracy. The snap action mechanism is precise and reliable.

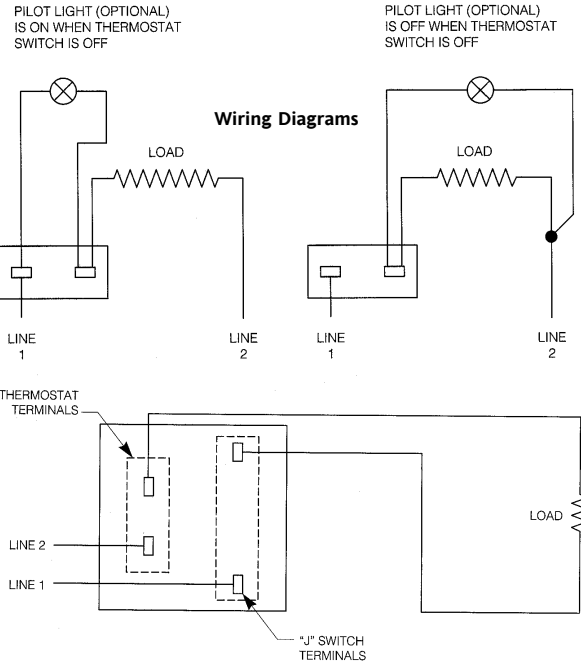
This direct acting series is suitable for commercial cooking industry and industrial applications.

Design Features

- Temperature ranges to 650°F (343°C)
- K Series with NAK filled diastats, temperature ranges to 975°F (524°C) possible
- Rugged and compact design for versatility and long life
- Bulb and capillary available in copper, nickel plated copper, nickel plated steel and stainless steel
- Plastic coating available for protection against moisture, dust, etc.
- Dials of heat resisting plastic available

Specifications

- Ambient temperature: 32°F (0°C) to 200°F (93°C)



Electric Thermostat - Model S Series

| Model1 | Description | UL Ratings2 | CSA Ratings3 | European4 | AGA5 |
|-----------------------|---|------------------------------------|------------------------------|------------------------------|----------------------------|
| S | SPST - Break on Temperature Rise | 277 V AC, 30 A | 277 V AC, 30 A | 277 V AC, 25 A (Tab Term.) | 120-277 V AC, 5 A, 125 V A |
| | | 250 V AC, 1200 V A, 18 FLA, 72 LRA | 250 V AC, 18 FLA, 72 LRA | 277 V AC, 30 A (Screw Term.) | 110/120 V AC, 1/6 hp |
| | | 251-550 V AC, 125 V A | 120-550 V AC, 125 V A | 480 V AC, 20 A (Screw Term.) | |
| | | 480 V AC, 20 A | | 226°F Max. Amb. | |
| SJ | SPST - Break on Temperature Rise With Aux. Switch Break in "OFF" Position | 277 V AC, 30 A | 120-240 V AC, 13 FLA, 50 LRA | 277 V AC, 25 A (Tab Term.) | |
| | | 250 V AC, 1200 V A, 18 LA, 72 LRA | 120-550 V AC, 125 V A | 277 V AC, 30 A (Screw Term.) | |
| | | 251-550 V AC, 125 V A | 250 V AC, 18 FLA, 72 LRA | 480 V AC, 20 A (Screw Term.) | |
| | | | | 226°F Max. Amb. | |
| SP | SPST - Break on Temperature Rise Except With Positive "OFF" Dial | 480 V AC, 20 A | 480 V AC, 20 A | 240 V AC, 25 A | |
| | | Aux. Sw. 277 V AC, 30 A | 240 V AC, 30 A | | |
| | | 277 V AC, 30 A | 277 V AC, 30 A | 277 V AC, 25 A (Tab Term.) | 120-277 V AC, 5 A, 125 V A |
| | | 250 V AC, 1200 V A, 18 FLA, 72 LRA | 250 V AC, 18 FLA, 72 LRA | 277 V AC, 30 A (Screw Term.) | 110/120 V AC, 1/6 hp |
| 251-550 V AC, 125 V A | 120-550 V AC, 125 V A | 480 V AC, 20 A (Screw Term.) | | | |
| 480 V AC, 20 A | | 226°F Max. Amb. | | | |
| SR | SPST - Make On Temperature Rise | 277 V AC, 30 A | 277 V AC, 30 A | | |
| | | 250 V AC, 1200 V A, 18 FLA, 72 LRA | 250 V AC, 18 FLA, 72 LRA | | |
| | | 251-550 V AC, 125 V A | 120-550 V AC, 125 V A | | |
| | | 480 V AC, 20 A | | | |

1 Model SL for temperature limiting applications

2 UL Ratings (UL Guide / XAPX2) - File No. E12103

3 CSA Ratings - CSA File No. LR36461

4 CE Approved - IEC 730-1 (1993), Amd 1 (1994), and IEC 730-2-9 (1992) UL International Compliance Services

5 AGA - tested per ANSI Z21.23 Certification No. C2765001

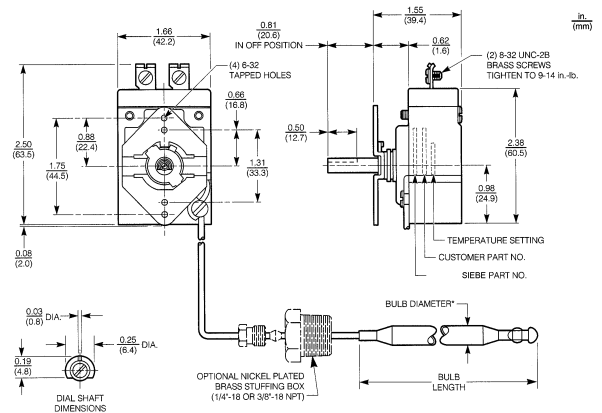
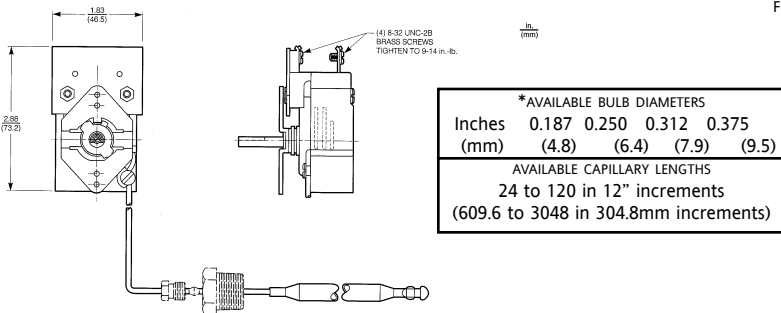
Electric Thermostat - Model K Series

| Model ¹ | Description | UL Ratings ² | CSA Ratings ³ | European ⁴ | AGA ⁵ |
|--------------------|---|---|------------------------------|------------------------------|---|
| K | SPST- Break on Temperature Rise | 250 V AC, 25 A, 690 V A, 18 FLA, 72 LRA | 120-240 V AC, 13 FLA, 50 LRA | 277 V AC, 25 A (Tab Term.) | Applies to Suffix B, P, R, T Controls |
| | | 120 V AC, 575 V A | 120-550 V AC, 125 V A | 277 V AC, 25 A (Screw Term.) | 120-277 V AC, 5 A |
| | | 277 V AC, 125 V A | 250 V AC, 18 FLA, 17 LRA | 480 V AC, 20 A (Screw Term.) | 110/120 V AC, 1/6 hp |
| KA | SPST - Break on Temperature Rise With SPST Aux. Switch Break in "OFF" Position | 120 V AC, 575 V A | 120-240 V AC, 13 FLA, 50 LRA | 277 V AC, 25 A (Tab Term.) | |
| | | 250 V AC, 25 A, 690 V A, 18 FLA, 72 LRA | 120-550 V AC, 125 V A | 277 V AC, 25 A (Screw Term.) | |
| | | 277 V AC, 125 A | 250 V AC, 18 FLA, 17 LRA | 480 V AC, 20 A (Screw Term.) | |
| | | Aux. Sw. 240 V AC, 25 A | 277 V AC, 25 A | 226°F Max. Amb. | |
| KB | SPST - Break on Temperature Rise With SPDT Aux. Switch, Break in "OFF" Position | 120 V AC, 575 V A | 120-240 V AC, 13 FLA, 50 LRA | | |
| | | 250 V AC, 25 A, 690 V A, 18 FLA, 72 LRA | 120-550 V AC, 125 V A | | |
| | | 277 V AC, 125 V A | 250 V AC, 18 FLA, 17 LRA | | |
| | | Aux. Sw. 240 V AC, 25 A | 277 V AC, 25 A | | |
| KK | SPST- Break on Temperature Rise With Push to Turn | 120 V AC, 575 V A | 120-240 V AC, 13 FLA, 50 LRA | | Applies to Suffix B, P, R, T Controls |
| | | 250 V AC, 25 A, 690 V A, 18 FLA, 72 LRA | 120-550 V AC, 125 V A | | 120-277 V AC, 5 A |
| | | 277 V AC, 125 V A | 250 V AC, 18 FLA, 17 LRA | | 110/120 V AC, 1/6 hp |
| KN | SPST - Break on Temperature Rise With NAK Filled Bulb | 120 V AC, 575 V A | 120-240 V AC, 13 FLA, 50 LRA | 277 V AC, 25 A (Tab Term.) | Also Applies to Suffix P Controls |
| | | 250 V AC, 1200 V A, 18 FLA, 72 LRA | 120-550 V AC, 125 V A | 277 V AC, 25 A (Screw Term.) | 120 V AC, 5 A |
| | | 251-550 V AC, 125 V A | 250 V AC, 18 FLA, 72 LRA | 480 V AC, 20 A (Screw Term.) | 250°F Bake, 275°F Clean Amb. |
| | | 200°F Cook Amb., 225°F Clean Amb. | 277 V AC, 25 A Non-inductive | 226°F Max. Amb. | |
| KP | SPST - Break on Temperature Rise Except With Positive "OFF" Dial | 120 V AC, 575 V A | 120-240 V AC, 13 FLA, 50 LRA | 277 V AC, 25 A (Tab Term.) | Applies to Suffix B, P, R, T Controls |
| | | 250 V AC, 25 A, 690 V A, 18 FLA, 72 LRA | 120-480 V AC, 125 V A | 277 V AC, 25 A (Screw Term.) | 110/20 V AC, 1/6 hp |
| | | 277 V AC, 125 V A | 250 V AC, 18 FLA, 72 LRA | 480 V AC, 20 A (Screw Term.) | |
| KR | SPST- Make on Temperature Rise | 120 V AC, 575 V A | 120-240 V AC, 13 FLA, 50 LRA | | Applies to Suffix B, P, R, T Controls |
| | | 250 V AC, 25 A, 690 V A, 18 FLA, 72 LRA | 120-480 V AC, 125 V A | | 110/20 V AC, 1/6 hp |
| | | 277 V AC, 125 V A | 250 V AC, 18 FLA, 72 LRA | | |
| | | 277 V AC, 25 A | | | |
| KX | SPST - Break on Temperature Rise Used on Low Current Pilot Duty Applications | 120-277 V AC, 50 V A | 120-277 V AC, 50 V A | 120-277 V AC, 50 V A | 24 V AC, 24 V A PD |
| | | 221°F Cook Amb., 250°F Clean Amb. | | 50/60 Hz | 1 V AC, 0.25 V A PD 200°F Cook Amb., 250°F Clean |
| KXA | Similar to KX With Same Aux. Switch As Model KA | 120-277 V AC, 50 V A | 120-277 V AC, 50 V A | 120-277 V AC, 50 V A | 24 V AC, 24 V A PD |
| | | 221°F Cook Amb., 250°F Clean Amb. | Aux. Sw. 250 V AC, 25 A | 50/60 Hz | |
| | | Aux. Sw. 120-277, 50 V A | | Aux. Sw. 240 V AC, 25 A | |
| KXN | Similar to KX With NAK Filled Bulb | 120-277 V AC, 50 V A | 120-277 V AC, 50 V A | | 24 V AC, 24 V A PD |
| | | 221°F Cook Amb., 250°F Clean Amb. | | | 1 V AC, 0.25 V A PD 200°F Cook Amb., 250°F Clean |
| | | | | | |
| KXR | SPST - Make on Temperature Rise Used on Low Current Pilot Duty Circuits | 120-277 V AC, 50 V A | 120-277 V AC, 50 V A | | 24 V AC, 24 V A PD |
| | | 221°F Cook Amb., 250°F Clean Amb. | | | 1 V AC, 0.25 V A PD 200°F Cook Amb., 250°F Clean |
| | | | | | |

- 1 Model KL for temperature limiting applications
- 2 UL Ratings UL Guide - XAPX2) - File No. E12103
- 3 CSA Ratings - CSA File No. LR36461
- 4 CE Approved - IEC 730-1 (1993), Amd 1 (1994), and IEC 730-2-9
- 5 AGA - tested per ANSI Z21.23 Certification No. C2765001

For ALL other ratings contact your Sales Representative

(1992) UL International Compliance Services



Application Responsibility
 Invensys Appliance Controls, as a supplier, will comply with those agreed to drawing requirements and specifications that define this product. Suitability for any application is the responsibility of the purchaser.