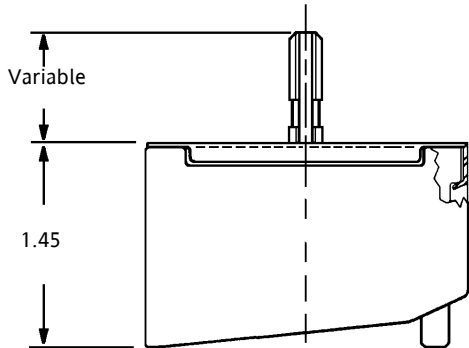
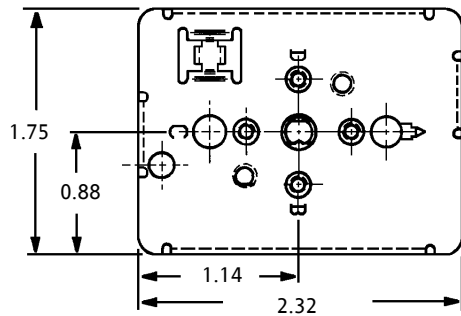
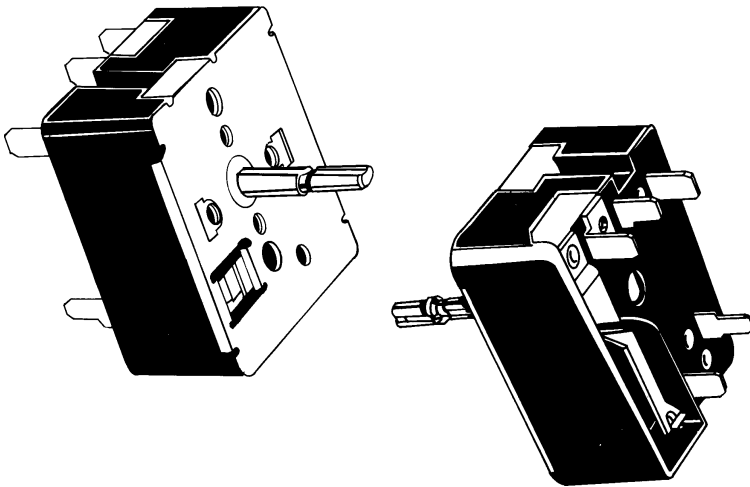


## Infinite Heat Switch



The infinite switch is a rotary switch which controls the power dissipated by a heating element. It is used on electric ranges, hot plates, barbecue grills, space heaters quartz heater, and many applications which call for proportionate control of a resistive load.

### Optional Features:

- Full dial (360°) or half dial (180°) rotation
- Clockwise or counterclockwise rotation
- Detented high, low, or both setting
- Ambient temperature ratings of up to 130°C
- Variety of shaft lengths and configurations
- Screw mount or bushing mount
- Push-to-Turn or Non-Push-to-Turn
- Wattage rating from 1000 to 3600 at 240V
- Voltage rating at 120 - 208 - 240 Volts

### Packaging:

- 45 or 50 count Styrofoam trays.

