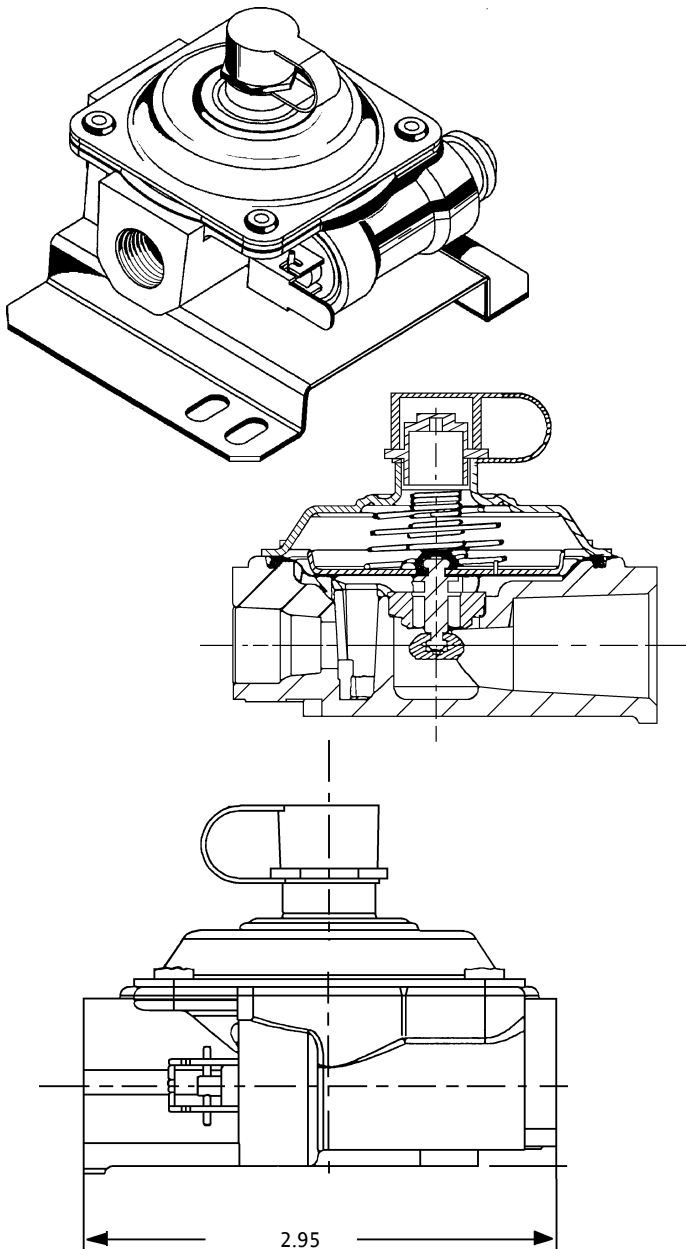


Gas Pressure Regulator



The gas pressure regulator is used in a gas range to regulate the gas into the range. Pressure regulators can be set for 4", 5", or 6" w.c. natural gas or 10" w.c. LP gas outlet pressures. Other housing configurations are available.

Features

- AGA and CGA design certified
- Integral manual valve for oven supply
- Convertible for natural or LP gas
- Functional in any mounting position

Specifications

- 200°F or 300°F ambient temperature rating
- 1/2 PSIG rating
- 1/2" NPT inlet
- 3/8" inverted flare, 3/8" loxit, 3/8" NPT, or 1/4" NPT main outlet
- 3/8" loxit, 1/4" NPT, or 3/8" inverted flare manual valve outlet

