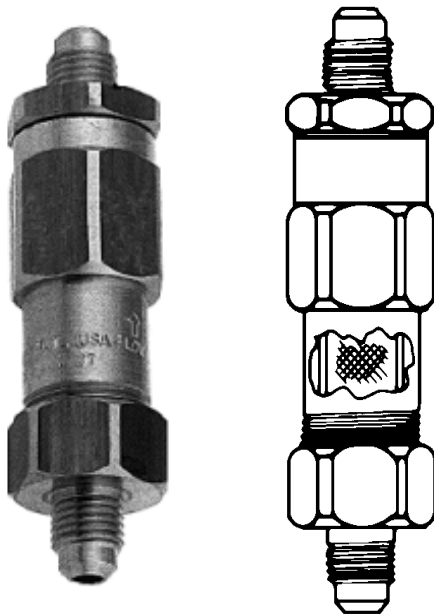


Model FRS Flow Regulator

Dole® Flow Regulators are highly engineered products that can save a considerable amount of water when used in domestic water supply systems. Properly regulated consumption of water can save on both heating and water bills for the average home owner.



One of the many models of flow regulators Invensys offers is the FRS model, which is commonly used in conjunction with lavatory and shower fixtures. This Dole flow regulator is a simple, self-cleaning device designed to deliver a constant volume of water flow output over a wide pressure drop range.

The controlling mechanism is a flexible orifice which begins to distort above the threshold pressure. As pressure increases, the orifice area decreases and maintains the desired flow output. At pressures below the threshold point of 15-20PSI, the flexible insert acts as a fixed orifice. Another advantage to this device is that it may break up the water discharge pattern, which in turn would minimize the audible sound developed when water passes through the regulator.

Each FRS model flow regulator has a serviceable screen, as shown. Flow tolerance is approximately +/- 15% for flow rates above 0.50GPM. The internal flow washer material in most models is Ethylene Propylene (EP). When ordering, please specify the flow rate you require.

Body Material:	Brass Housing
Net Weight:	5.5 Oz.
Connections:	1/8" Flare Inlet and Outlet
Flow Rates:	Choose from the following
	0.06 0.35
	0.13 0.50
	0.19 0.75
	0.25 1.00
Max. Water Temp:	180°F
Operating Pressure:	Max. 200 PSI

Information subject to change without notice. 7/99