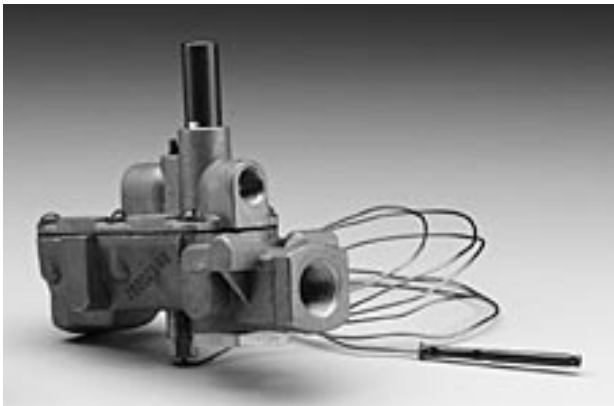


## FM Series Automatic Safety Valve



The model FM Series is an automatic safety valve, designed to provide complete gas shut-off in the event of pilot failure and perform in the harsh environment of commercial appliances.

The FM is available in two versions, with separate pilot gas supply or with integral pilot gas supply.

Typical gas applications for the FM are deck, convection, and baking ovens and ranges.

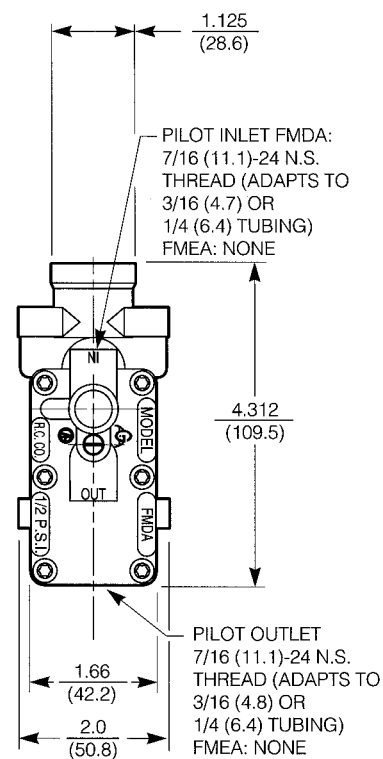
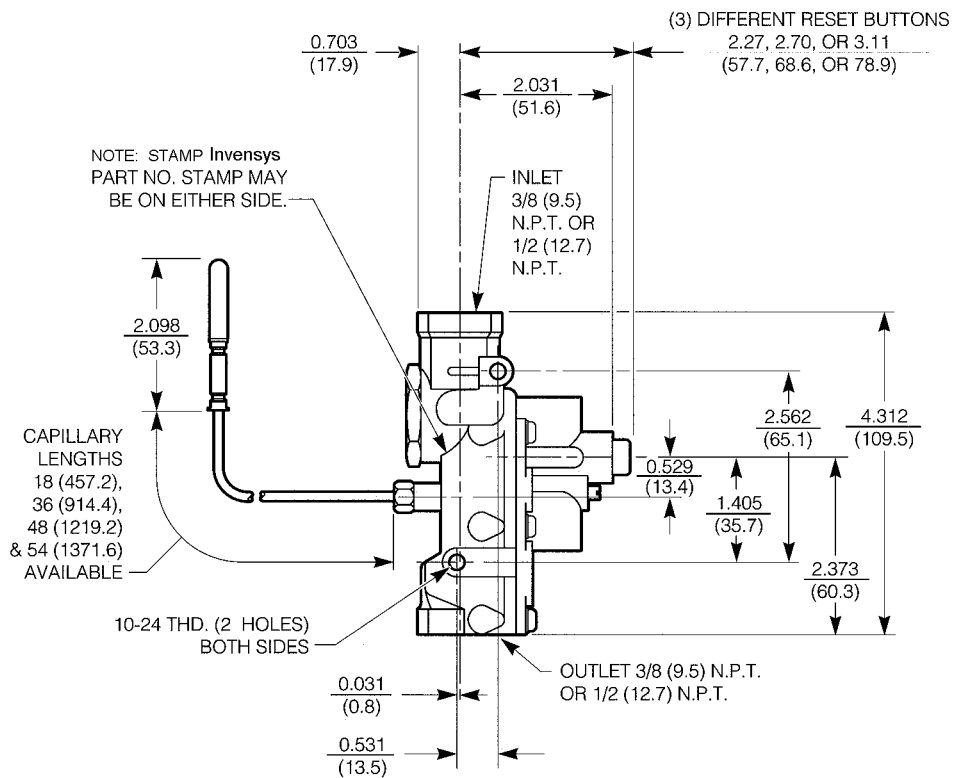
### Design Features

- 100% Shut-off in event of pilot outage
- 1/2" & 3/8" Pipe inlet
- 1/2" & 3/8" Pipe outlet
- 3 Reset button lengths
- 4 Capillary lengths to facilitate application to appliance (18", 36", 48", 54")
- One piece bulb and flexible capillary provide ease of installation
- Accepts 3/16" or 1/4" diameter pilot tubing
- Multipoise and mounting holes available
- Protective sleeve on bulb to provide extended life

### Specifications

- Ambient Temperature:  
32°F (0°C) to 350°F (177°C)
- Element Ambient:  
800°F (427°C)
- Maximum inlet pressure:  
0.5 PSI
- Capacity (Natural Gas)  
3/8" pipe in and out      100,000 BTU/HR  
1/2" pipe in and out      100,000 BTU/HR
- Agency Certification Numbers:  
AGA/CGA Certificate No. C2765007

in.  
(mm)



**Application Responsibility**

Invensys Appliance Controls, as a supplier, will comply with those agreed to drawing requirements and specifications that define this product. Suitability for any application is the responsibility of the purchaser.

Information subject to change without notice. 7/99