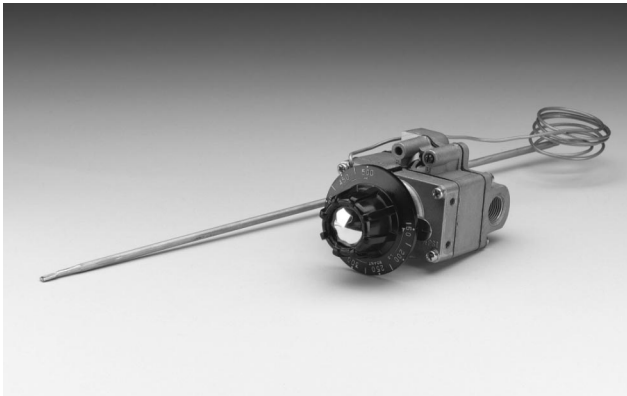


## FD Series Gas Thermostat



The FD series are heavy duty, high capacity gas thermostats. These units are available with modulating or modulating with snap by-pass. Both pilot and by-pass adjustment means are provided.

Available for a wide variety of applications. Typical applications are deck, convection and baking ovens and ranges.

### Design Features

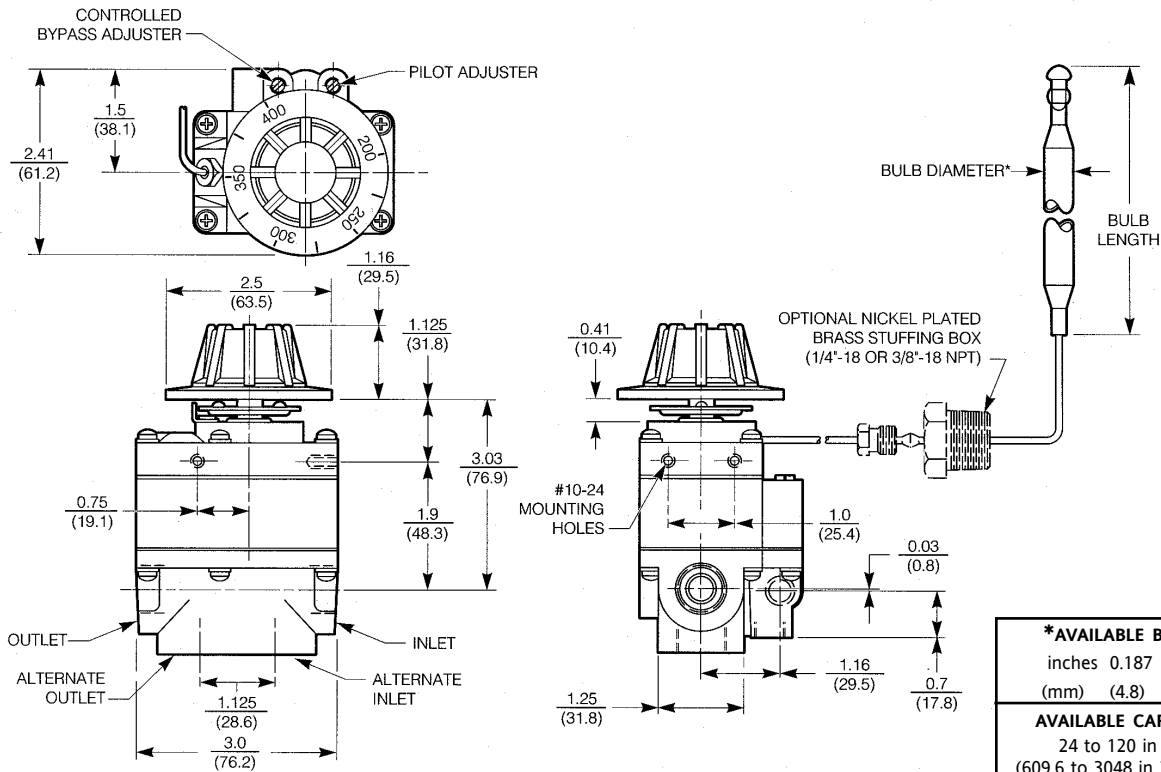
- Available with various temperature ranges, temperature control to 650°F (343°C)
- Heat resistant materials and rugged design
- Front adjustment
- The pilot and by-pass keys are easily accessible and slotted for ease of adjustment from front
- Provides temperature control on most “all gas” appliance systems
- Allows for low temperature control. Modulates the main gas supply and controls the by-pass gas with a snap valve under the same thermostatic action
- Bulb and capillary assemblies supplied in plain copper, nickel plated copper, or nickel plated steel
- Heat resistant plastic dials available in black with white characters

### Specifications

- Ambient temperature:  
32°F (0°C) to 350°F (177°C)
- Maximum inlet pressure: 0.5 PSI
- Capacity (Natural gas)

3/8” pipe in and out	100,000 BTU/HR
1/2” pipe in and out	100,000 BTU/HR
7/16” tubing in and out	100,000 BTU/HR
- Agency Certification Numbers:  
AGA/CGA Certification Number T2765003  
British Gas plc EC Product Identification Number C87AR61

in.  
(mm)



<b>*AVAILABLE BULB DIAMETERS</b>				
inches	0.187	0.250	0.312	0.375
(mm)	(4.8)	(6.4)	(7.9)	(9.5)
<b>AVAILABLE CAPILLARY LENGTHS</b>				
24 to 120 in 12" increments				
(609.6 to 3048 in 304.8mm increments)				

Model	General Description
FDO	Modulating with snap bypass - 550°F (288°C) max. setpoint
FDTO	Modulating - 550°F (288°C) max. setpoint
FDH	Modulating with snap bypass - 650°F (343°C) max. setpoint
FDTH	Modulating - 650°F (343°C) max. setpoint
FDL	Modulating with snap bypass - Liquid immersion sensor
FDS	Modulating with snap bypass - Surface contact sensor
FDS	Modulating - Surface contact sensor

**APPLICATION RESPONSIBILITY**

Invensys Appliance Controls, as supplier, will comply with those agreed to drawing requirements and specifications that define this product. Suitability for any specific application is the responsibility of the purchaser.