

Electronic Thermostat



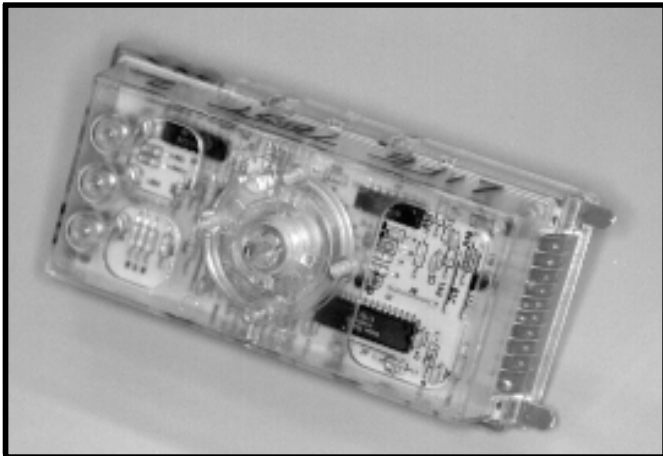
The Electronic Thermostat is a range control used in conventional gas and electric ranges to regulate oven temperature and provide a self-clean function.

Features

- Knob performs Selector Switch function and Temperature Regulation
- Interface with Platinum Sensor
- Auto Door Latch
- Red LED displays for oven status indicators:
 - Oven On
 - Door Latched
 - Heating

Options

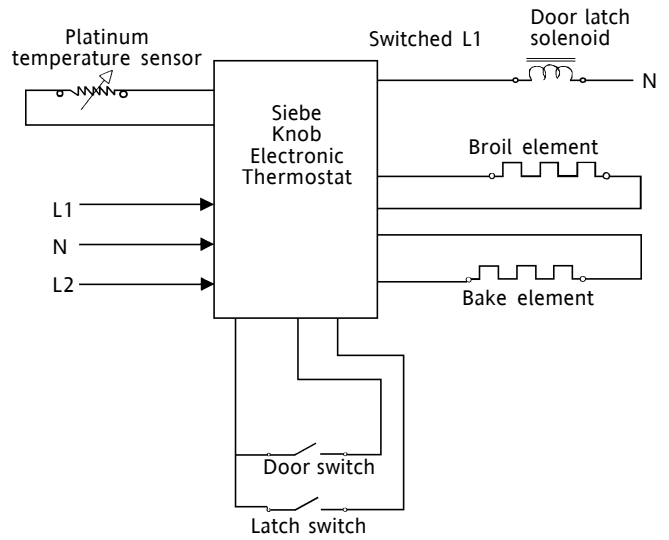
- Selectable EPROM Parameters
 - Factory Offset, and Feature Options
- Manual Door Latch



Specifications

- User offset adjust through the knob
- Bake temperature range is 175°F to 525°F with 5° resolution and variable top heat assist
- Fixed time, Pyrolytic Clean Mode
- Will drive up to 2400 watts for bake and 3400 watts for broil

Wiring Diagram



Typical dimensions for the electronic thermostat (inches)

