



Electronic Range Control



LED



VFD

This control is used in self-clean gas and electric ranges to regulate temperature in the oven. It performs the self-clean, delayed bake timing, timer, and clock functions. This control features an economical one-piece Lexan assembly with integrated user input switches. This ERC is a drop-in replacement for the industry standard ERC.

Features

- Time of day clock
- Minute minder with audible alarm
- Delayed cooking functions
- Bake with variable top element assist
- Broil - hi/lo selection
- Programmable 2-4 hour pyrolytic clean cycle
- Plastic chassis
- Eleven tactile user-input switches and two relays

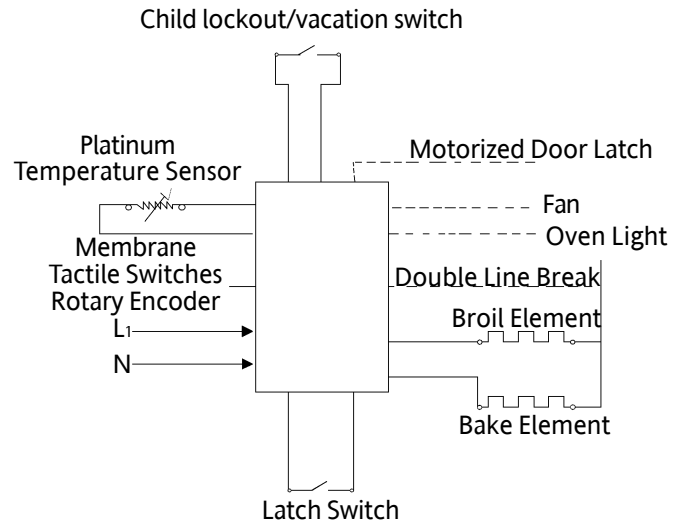
Options

- Additional relays
- Membrane switch interface
- Selectable EPROM parameters -
user offset, factory offset, and feature options
- Motorized door latch
- Oven light output
- Convection fan output
- Double line break output
- Multiple data entry options -
slew pads and polycarbonate membrane
with graphic overlay
- Vacuum fluorescent display or LED display
with custom graphics:
three-digit temperature display
four-digit time display

Specifications

- Temperature range 170°F to 550°F
- Self-clean mode temperature +875°F
- UL and AGA approved; CSA and CGA capable
- 15 amps switch both the bake and broil elements

Wiring Diagram



Typical dimensions for the Electronic Range Control (in inches)
 LED display option dimensions shown. VFD option dimension are similar.

