

E Series Push to Turn Thermostat



The E Series thermostat provides uniform thermostatic operation for a wide variety of cooking and heating applications. The E Series design provides simple, safe and consistent operation.

The E Series is available with a push to turn feature, a unique positive off mechanism and built in auxiliary switches.

The unique built in switching capability permits the use of one control where the OEM previously required the stocking of two or more models.

Design Features

- Push-to-turn operation
- Mechanical positive off option
- Built in auxiliary switches
- Temperature ranges:
50° C to 320° C and
30° C to 110° C
- Optional isolated pilot circuits for low-current situations

Advantages

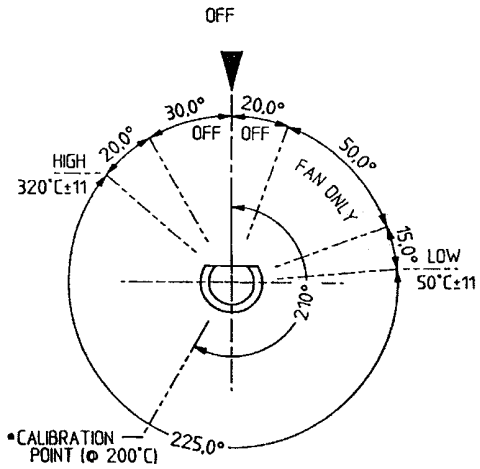
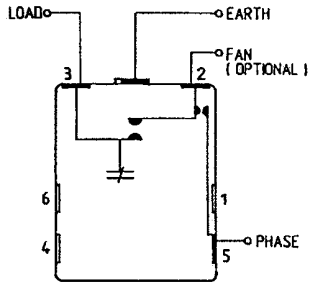
- Superior design
- Convenience of built in auxiliary switching
- Simple, safe, consistent operation
- Quiet switching mechanism
- Reduced stocking requirements

Specifications

- 240 VAC, 16 Amp
- Ambient rating -35° C to 150° C (T150),
(-31° F to 302° F)
- Off detent at 0°
- Stainless steel bulb and capillary
- Capillary length 1400 +/- 5.0 mm
- Bulb size 144 +/- .4 mm
- Palnut or screw mounting
- 360 degree shaft rotation is available

Dimensions in mm

Wiring Diagram



• CALIBRATED WITH BULB PLUS 100mm OF CAPILLARY.

Terminal Details

