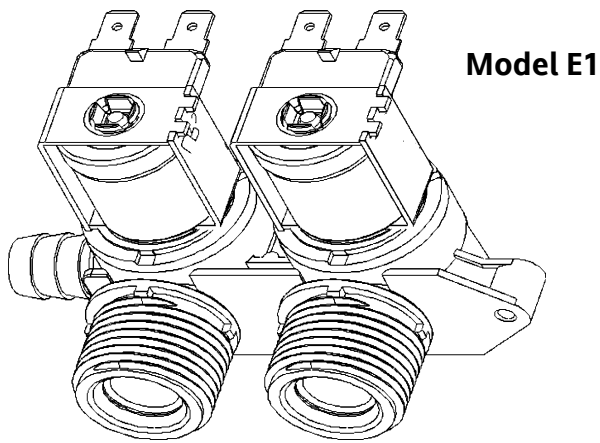


Model E-1/E-2 Clotheswasher Valves



Invensys has two clotheswasher valves that replace those currently in use. The model E-1 replaces the N-50, and the model E-2 replaces the N-51. The difference between them is that the E-2 has a flow control built into the outlet.

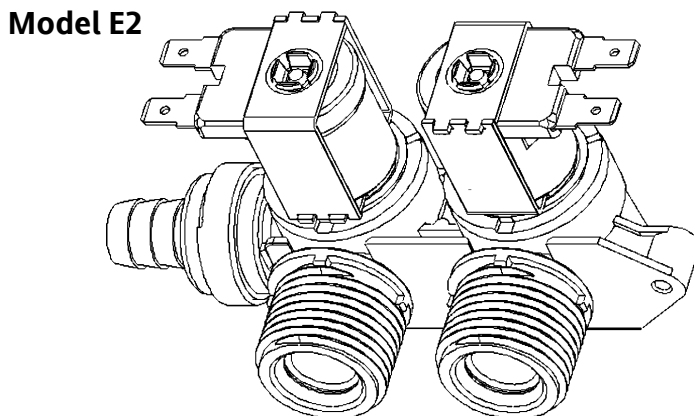
There are several design features that make these newer models an improvement over their forerunners.

Instead of a C frame with an opening for the pole piece, the new solenoid coil design uses a staked coil L frame with drawn pole “sleeves.” This new design eliminates problems with a sprung C frame and loose or missing pole pieces. An improved bobbin design reduces open coil problems as well.

These valves also have slow-closing operators that reduce water hammer and extend valve life.

The bodies of these new valves use spun-weld assembly to minimize the problems caused by loose or missing screws, are much more compact than their predecessors to allow more flexibility for applications, and make the valve almost completely tamper-proof.

Mounting is achieved using flanges and a screw boss which are molded as a part of the valve body. This contributes to the smaller size of the envelope and ease of mounting in the final application.



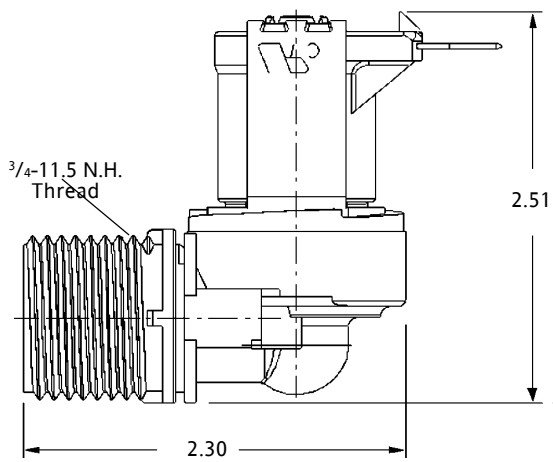
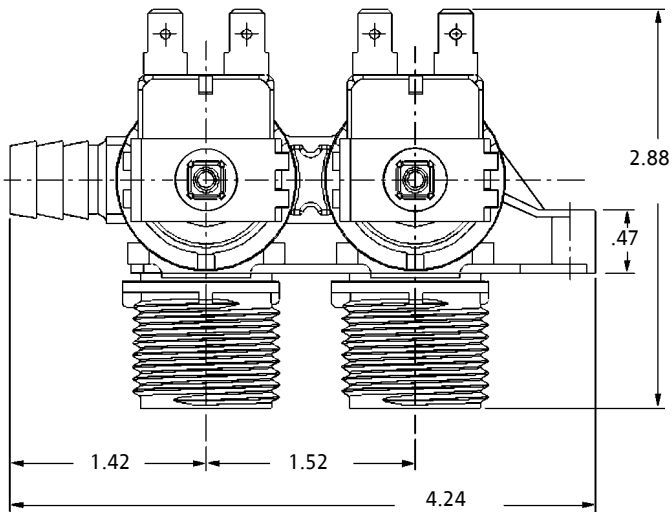
Options

- Deep drawn inlet screens
- Tamper-resistant secondary inlet screens
- Flow Control, with or without noise suppression
- Check valve

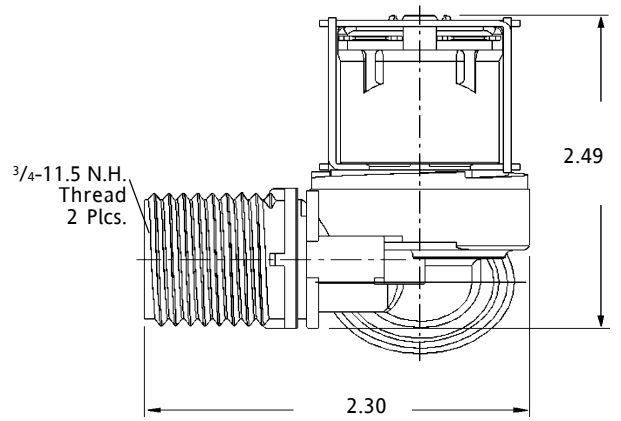
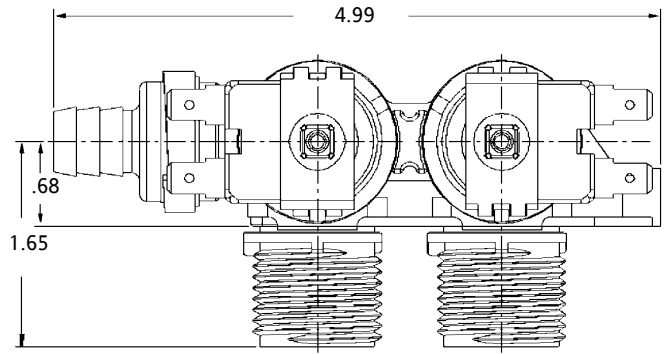
Specifications

- Terminals: 0.25"
- Inlet: 3/4" 11.5 NHT
- Outlet: 1/2" ID Hose
- Electrical: 120V / 240V
- Flow Rates: 1 to 6 GPM
- Max Water Temp: 160°F / 71°C
- Operating Pressure: 20-120PSI / 0.14 - 0.83 mPa / 1.36 - 8.16 atm.

Model E1



Model E2



Information subject to change without notice.

7/99