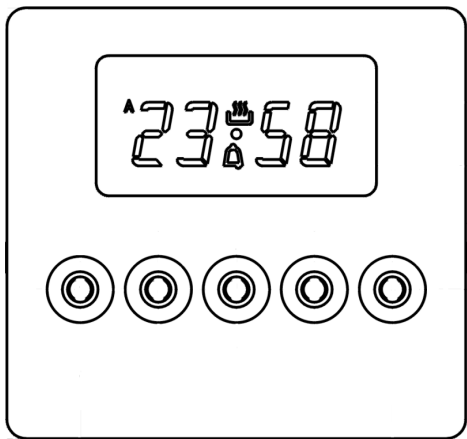


Model EL145 Electronic Timer



Design Features

- 12 or 24 hours clock for one timed programme and minute minder
- Display: 10 mm fluorescent
- Main supply: 230V AC 1W
- Switch capacity: 16A 250V AV my
- Ambient temperature: T 120 when mounted in cooker
- Storage temperature: -40°C / + 125°C
- Terminals: 6.3 X 0.8 mm
- Dimensions: 72 mm X 67.6 mm
Depth 44.5 mm

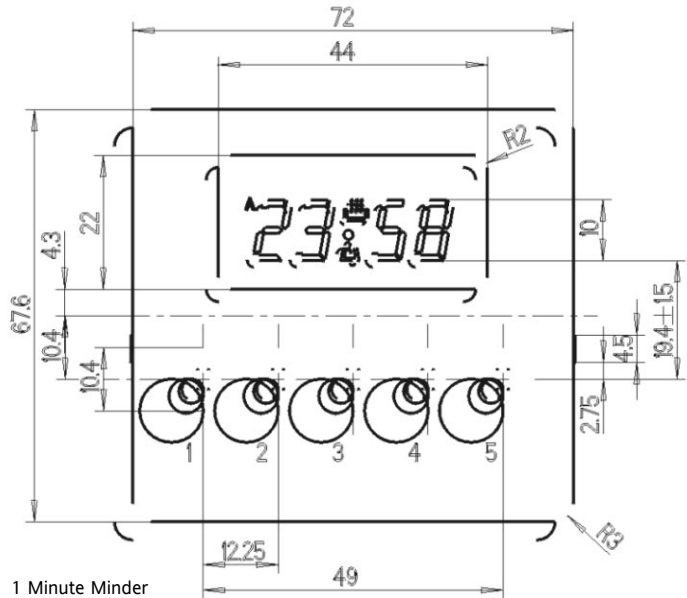
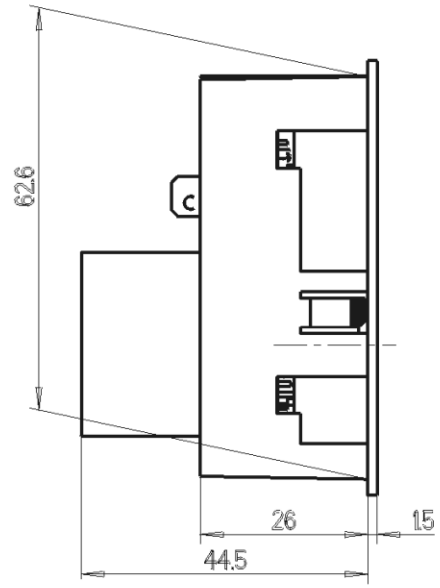
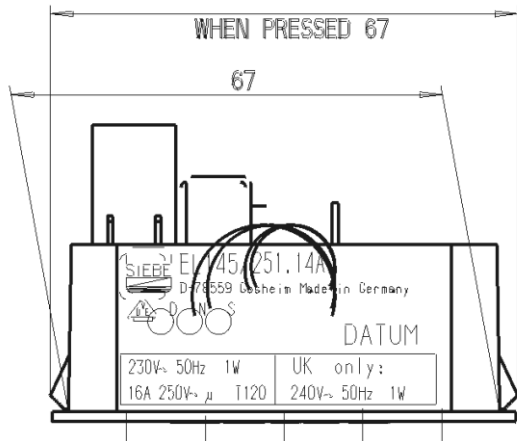
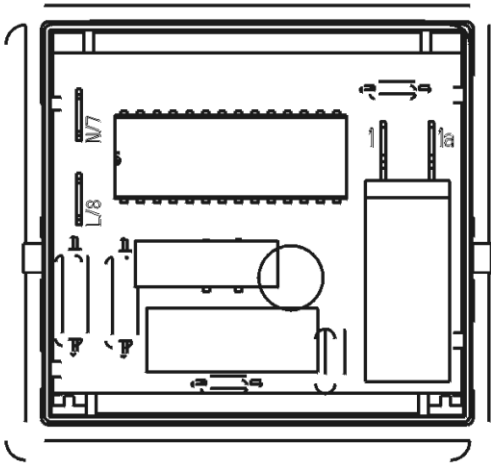
Invensys Appliance Controls new electronic timer EL145 is designed for applications requiring the T120 rating.

The EL145 is a compact model featuring the functions of time of day, minute minder, cooking duration and cooking end time.

Maximum settings

- Time of Day
11 hr 59 min or 23 hr 59 min
- Cooking end time
11 hr 59 min or 23 hr 59 min
- Minute minder
23 hr 59 min
- Cooking duration
10 hr

Electronic Timer EL145/2XX
T120



- 1 Minute Minder
- 2 Cooking Duration
- 3 End Time
- 4 Minus Setting
- 5 Plus Setting

MANUAL POSITION (UNDER NO CURRENT SUPPLY)

