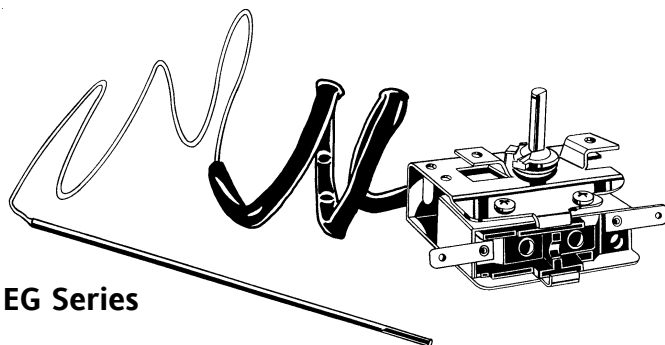
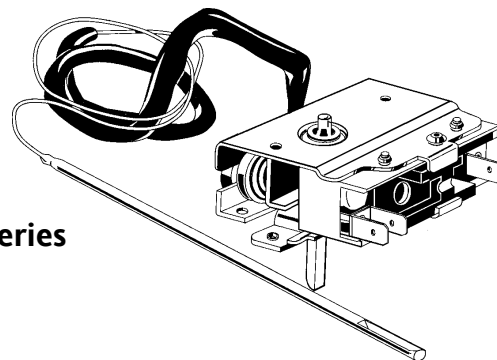


Model EG and ER Thermostats



EG Series



ER Series

Invensys electric oven thermostats are designed for use in both conventional and self-clean ovens. Their compact design fits even in confined areas. Each of these thermostats is a highly reliable temperature control with a long operating life.

Standard capillary length is 36 inches, secured to the frame by strain relief. The standard calibration reference point for both the EG and ER thermostats is 350°F.

The self-clean type EG and ER thermostats incorporate a logic switch. The primary purpose of this switch is to provide safety in the event that the clean setting is accidentally chosen when the oven is in the bake mode.

In the case of the EG model for gas oven, the thermostat works in combination with the ignition system. Turning on

the thermostat activates the silicon carbide igniter bar. When this block reaches the correct temperature, it opens the gas valve and ignites the gas.

The EG switch uses a patented push-to-turn function to close the switch contacts. Shaft rotation is counter-clockwise to increase temperature and there is a detent on the frame to provide a positive "OFF."

The thermostat is ambient compensated to 200°F. The switch rating is 5 amps for 125VAC systems only.

The ER model thermostat carries a higher electrical rating than the gas oven thermostats. This model breaks one side of a 250VAC bake or broil element.

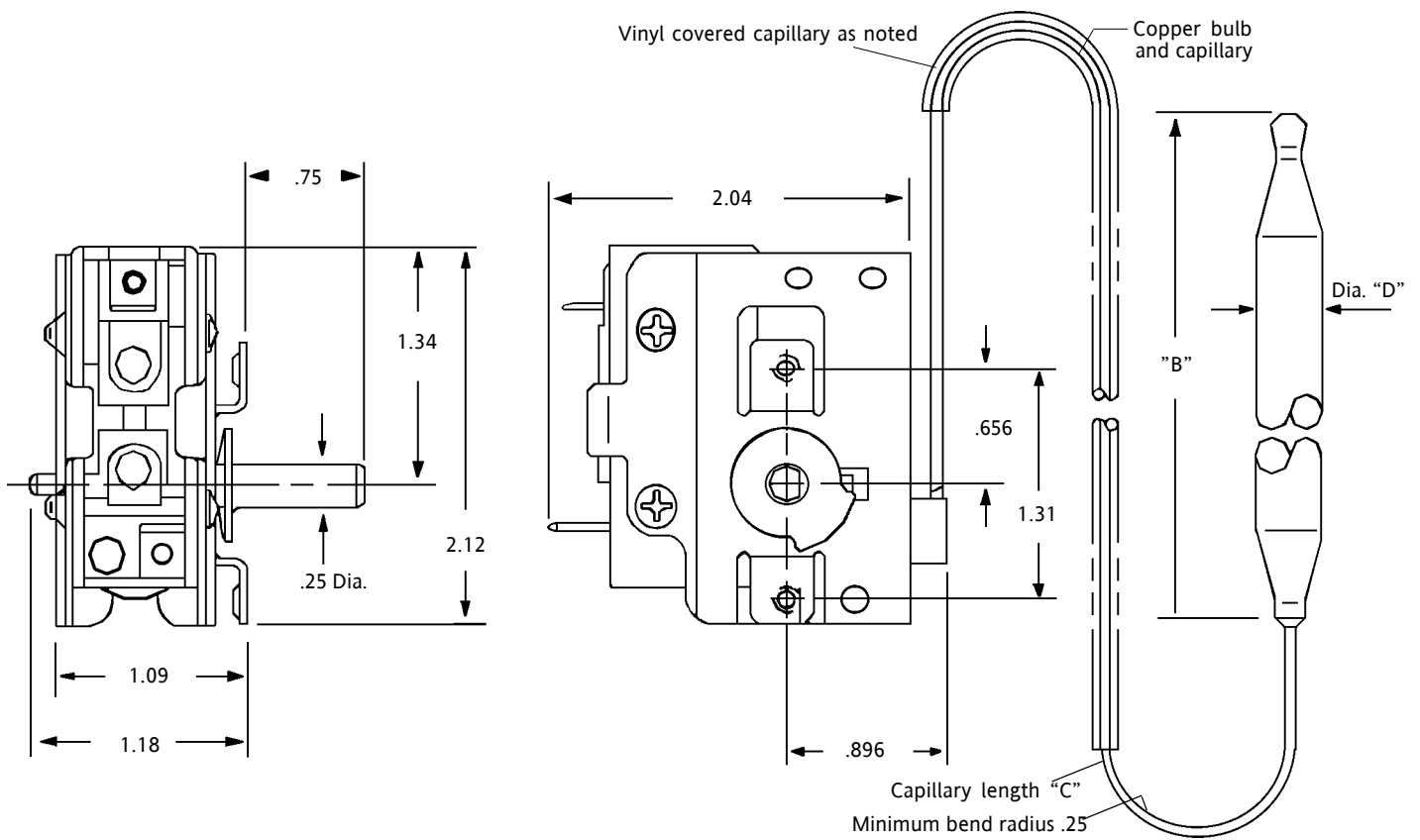
The ER cycles the element in the range cavity to regulate temperature. Shaft rotation is clockwise to increase temperature. There is increased cam rise on the cam shaft to provide a positive "OFF."

This thermostat is ambient compensated to 180°F. The electrical rating is 25 Amps, 250VAC resistive.

An optional aluminum shaft is available for increased ambient ratings of up to 250°.

Hot Control Model Descriptions:

Description	Gas Oven	Electric Oven
Bake Only	E/G-5	E/R-25
Bake/Broil	E/G-7	E/R-27
Self-Clean	E/G-15	E/R-35
Self-Clean Double Pole	E/G-15DP	E/R-35DP



Specifications

Adjustment: 1/4" diameter x 5/32" flat x 3/4" long. Optional custom flat positions and shaft lengths up to 1 3/4"

Approvals: UL, File E16835
CSA, File LR10499

Dial: 270 angular degrees from low to max, clockwise.
Optional counter-clockwise rotation.

Electrical Ratings:
25 Amps @ 125/250VAC Resistive
1HP @ 125VAC, 2HP @ 250VAC
125 VA Pilot Duty

Mounting: NEMA 6-32 threaded mounting holes on 1 5/16" centers. Optional mounting brackets available with 1 3/4" and 2 1/8" centers.

Termination: 1/4" male copper quick connects per NEMA DC-2 specs.
Optional No 12 AWG, 105°C Wire Leads or 8-32UNC threaded terminals.