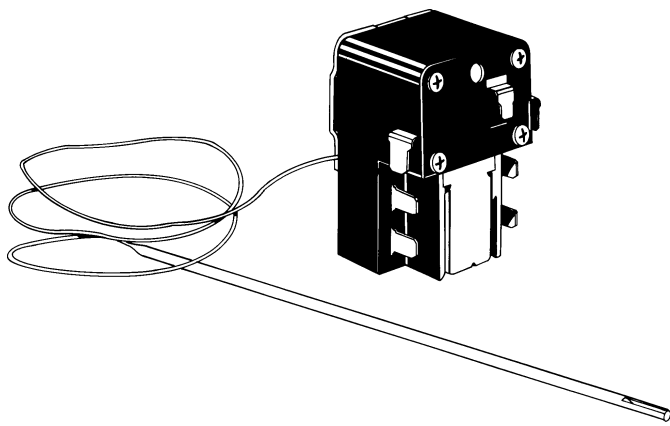


Dual Range Thermostat



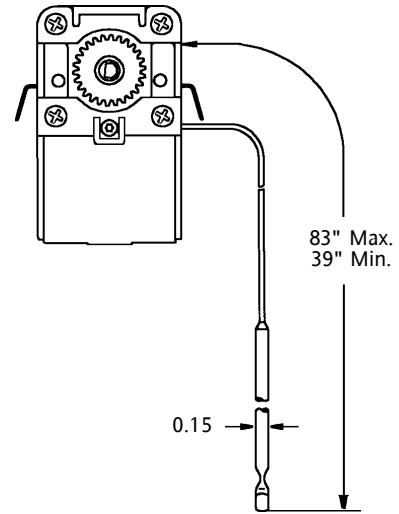
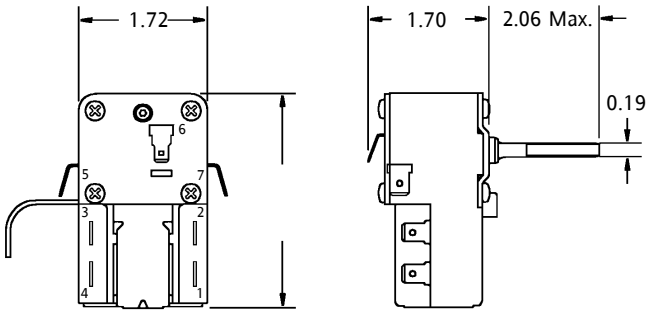
The DRT is sometimes also called a NaK thermostat because of the Sodium Potassium it uses in its capillary bulb to sense temperature. It is a thermostat with two modes of operation incorporating a double pole single throw thermostatic switch and a single pole double throw logic switch. In the bake/broil range the temperature is adjustable from 150°F to 550°F with contacts opening on temperature rise. In the clean range the temperature is fixed at 890°F. The logic switch toggles when the control is switched between the two ranges.

Features

- Used for self cleaning electric ovens
- Thermostat switch is connected to the sensor bulb with a stainless steel capillary tube
- 21 Amp 240 VAC electrical rating for thermostatic contacts
- 21 Amp 240 VAC electrical rating for bake pole of logic switch
- 13 Amp 240 VAC electrical rating for clean pole of logic switch
- 225°F switch body temperature rating
- 1000°F sensing bulb temperature rating
- Double pole thermostatic switch can control upper and lower heating elements as separate circuits
- Logic switch can be used to control indicator lights or door latches
- Capillary tube lengths from 39" to 83"
- Temperature adjustment shaft lengths from 0.93" to 2.06"

Options

- Adapter bracket for nonstandard mounting
- PVC sleeving over capillary tube for electrical insulation
- Jumper wire across poles to simplify oven wiring



Standard Packaging

- 16" long x 15" wide x 11" tall with egg crate dividers
- 1 layer per box packed with sensing bulbs vertical
- 50 thermostats per box

Optional Packaging

- 21" long x 17" wide x 10" tall with egg crate dividers
- 3 layers per box packed with sensing bulbs horizontal
- 75 thermostats per box

