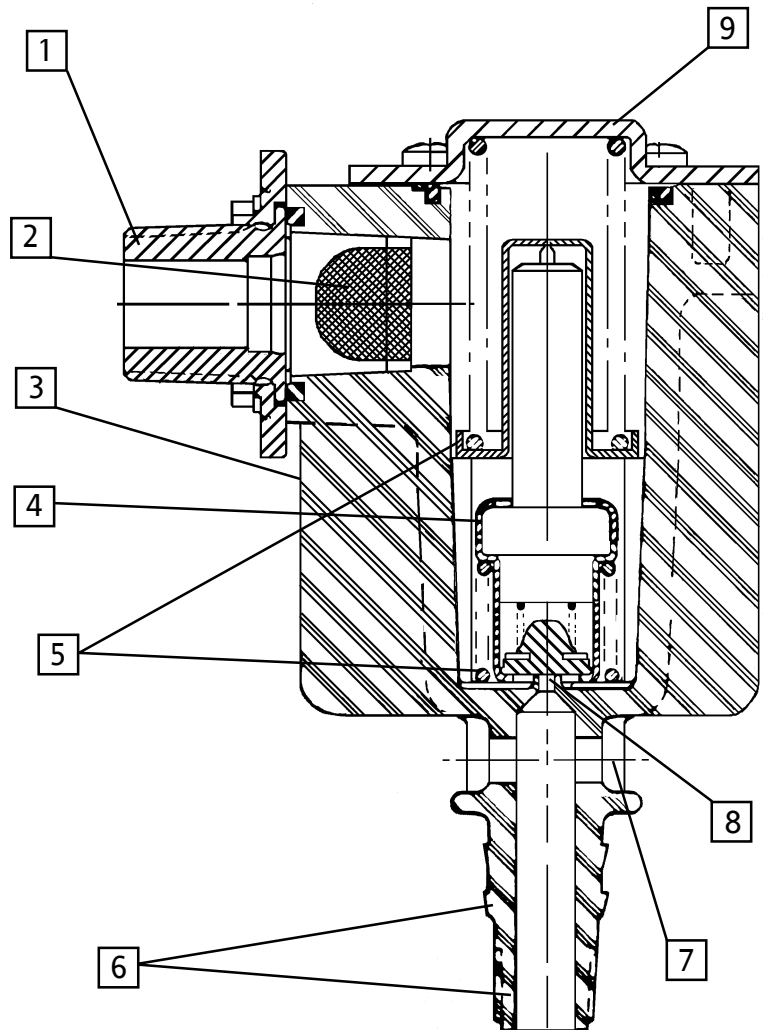


## Dole® Freeze Protection Valve FP-35 and FP-45

### Design Features

1. 1/2" MNPT positive seal brass inlet fitting
2. Stainless steel, corrosion resistant, inlet screen
3. Celcon M-90 ultraviolet stabilized body material
4. Dole® power element assembly with 38°F or 43°F start to open
5. High temperature over-travel spring mechanism
6. Discharge port for 1/4" NPT plastic pipe or 5/8" ID hose
7. Alternate discharge/antisiphon port
8. Spring loaded positive seal seat
9. Tamper resistant cap



Scale: Full size