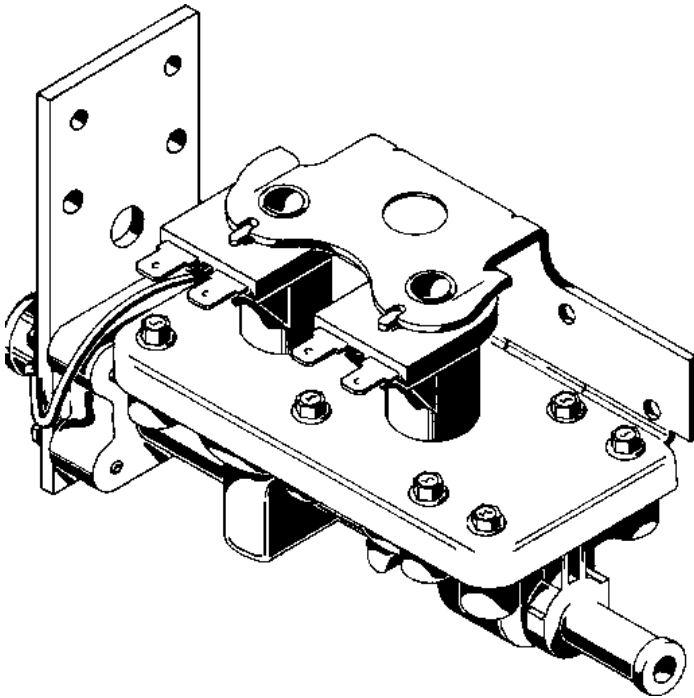




Dishwasher Valve Model N-53

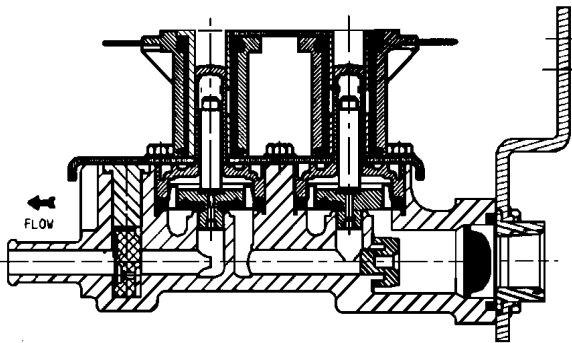
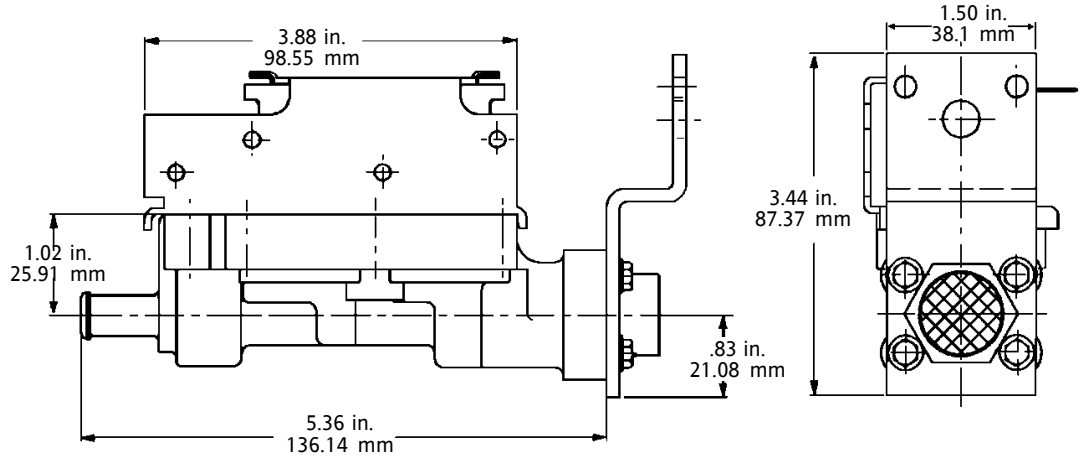
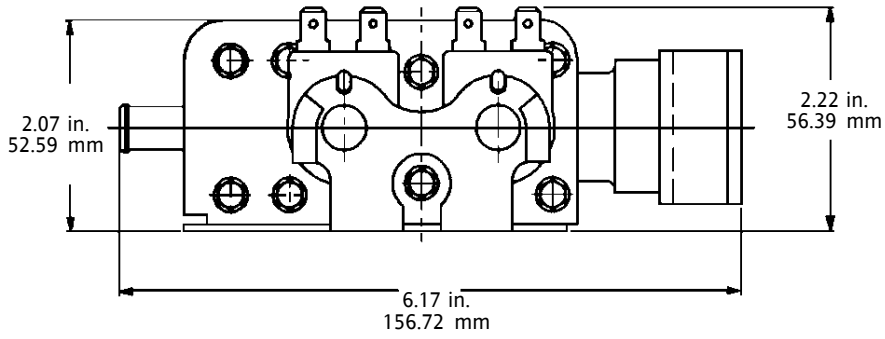


Invensys makes the dual solenoid valve model N-53 for use in dishwashing machines. This model features a brass inlet fitting and mounting bracket design which allows direct connection to the supply plumbing without applying torque to the valve body. It also has an inlet screen and the flood protection of two valves in series within a single compact body. The N-53 also has a reduced air gap operator, or water hammer suppression feature.

The N-53 has a pilot-operated diaphragm that provides high flow capacity with minimum power requirements. The nylon encapsulated coils on these inlet valves provide high mechanical and di-electric strength, and are moisture resistant.

The Invensys dual solenoid dishwasher valve has a unique diaphragm design which reduces the possibility of unwanted particles entering the armature area. The armature is designed with clearances which minimize the possibility of jamming due to foreign materials.

Invensys dishwasher valves have polypro bodies which are designed to cope with a variety of adverse water conditions throughout the country and withstand water temperatures of up to 160° F/71°C. All Invensys Dishwasher Valves operate from 20 to 120 PSI/0.14 to 0.83 mPa/ 1.36 to 8.16 atm.



Information subject to change without notice. 7/99