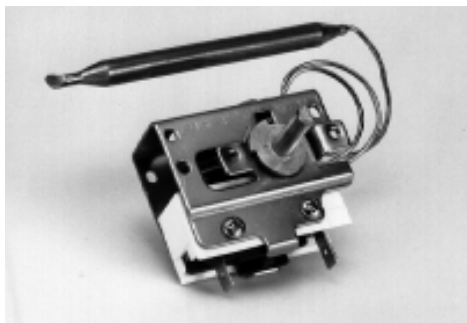
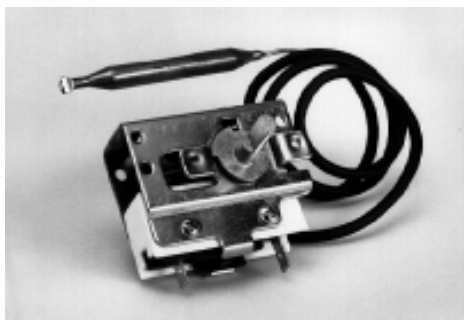


Model C1-25 Thermostats



Basic C1-25 Model



Optional Sleeve

Invensys/Mears has been a leader in the manufacture of thermostatic controls for more than 25 years. In response to the industry's needs, Invensys has developed a line of standard hydraulic sensing thermostats for applications such as pool and spa heaters.

Invensys temperature regulating thermostats use a single pole switch which breaks one side of the heating circuit. Invensys' standard line offers popular bulb diameters and capillary lengths to fit most applications. (See reverse side for specifications chart.) They are also ambient compensated to maintain accurate temperature control over a wide range of environmental conditions.

The standard Invensys C1-25 thermostat uses a snap acting switch for breaking heavy resistive and inductive loads. These switches are also rated for pilot duty loads. An optional gold flash contact switch is available to handle millivolt applications.

Specifications

Approvals: UL, File E 16835
CSA, File LR10499

Electrical Ratings:

25 Amps @ 125/250VAC Resistive
1HP @ 125VAC, 2HP @ 250VAC
Pilot Duty: 125 VA Pilot Duty

Mounting: NEMA 6-32 threaded mounting holes on $1\frac{5}{16}$ " centers. Optional mounting brackets available with $1\frac{3}{4}$ " and $2\frac{1}{8}$ " centers.

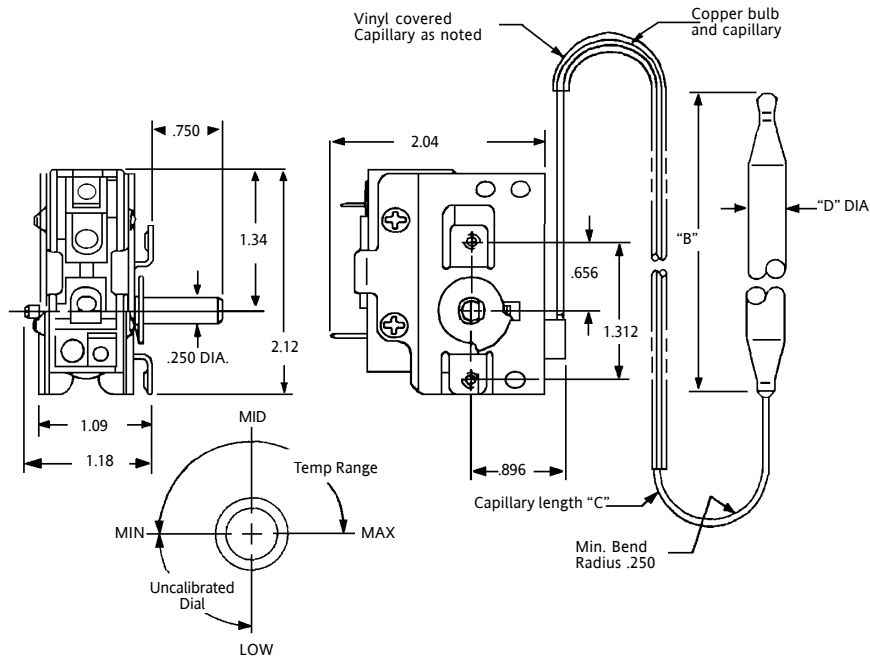
Shaft: $\frac{1}{4}$ " diameter x $\frac{5}{32}$ " flat x $\frac{3}{4}$ " long. Optional custom flat positions and shaft lengths up to $1\frac{3}{4}$ ".

Standard Rotation: 270 angular degrees from low to max, clockwise. Optional counter-clockwise rotation.

Termination: $\frac{1}{4}$ " male copper quick connects per NEMA DC-2 specifications. Optional No. 12 AWG, 105°C Wire Leads or 8-32UNC threaded terminals.

Max. Bulb Withstand: 150°F

Dimensions for the Standard C1-25 Thermostat (Inches)



Part Number	Temperature Range [°F]		Calibration [°F]	Inches		
	Min	Max		Bulb Length ["B"]	Cap.* Length ["C"]	Bulb Dia. ["D"]
275-3107-00	74	107	107 +/-2	5.88	12	0.0260
275-3107-01	74	107	107 +/-2	5.88	12V	0.0260
275-3108-00	74	107	107 +/-2	5.88	36	0.0260
275-3123-00	47	107	107 +/-4	3.70	12	0.0260
275-3123-01	67	107	107 +/-3	3.41	12	0.0322
275-3124-00	47	107	107 +/-4	3.70	36	0.0260
275-3127-00	67	107	107 +/-3	3.41	36V	0.0322
275-3263-00	57	107	107 +/-3	3.00	24V	0.0322
275-3276-00	77	107	107 +/-2	4.07	12	0.0322
275-3277-00	74	107	107 +/-2	2.85	32	0.0382
275-3278-00	77	107	107 +/-2	4.07	36	0.0322

* Optional Capillary lengths are 6" to 90". V-Denotes Vinyl Sleeve over Capillary.

Limited Warranty

Invensys warrants that product will be free from defects in material and workmanship for a period of thirty-six months from the date of manufacture.

This warranty is in lieu of all other warranties expressed or implied, including without limitation those of merchantability and fitness for a particular purpose or application.

Invensys' obligation, in the event of a breach of warranty, is limited to repair or exchange of the Invensys product and does not include replacement costs. Invensys' liability under this warranty shall not exceed the cost of the product. Upon expiration of the warranty, Invensys shall have no further liability.

Invensys reserves the right to add or delete products, and to change the design, dimensions, and/or specifications shown here at any time without notice.

It is the responsibility of the person applying this product to ensure that it is utilized in a safe manner, and that it is applied in accordance with any and all relevant independent and industry testing agencies, and also applied in accordance with the appropriate federal, state, and/or local laws and codes.