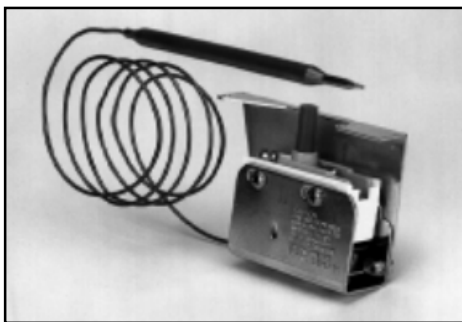




Model C1-22RX Thermostats For Pool & Spa Applications



Optional Sleeve



Optional Bracket

Invensys/Mears has been a leader in the manufacturing of thermostatic controls for more than 25 years. In response to the industry's needs, Invensys has developed a line of high-limit thermostats ideal for applications such as pools and spas where high limit protection is required.

Invensys high-limit controls were designed to operate in conjunction with a temperature regulating thermostat to provide manual reset temperature cutout. The C1-22RX high-limit controls comply with UL and CSA requirements.

Invensys C1-22RX thermostats use a single pole switch to break one side of the heating circuit. Invensys' standard line offers popular bulb diameters and capillary tube lengths to fit most applications. (See reverse side for specifications chart.)

The unique feature of ambient compensation maintains the stability of the calibrated trip temperature regardless of the temperature changes around the control, thus avoiding nuisance tripping.

Specifications

Approvals: UL, File E16835

CSA, File LR10499

Electrical Ratings:

UL: 30 amps @ 125/250 VAC

20 amps @ 277/480 VAC

$\frac{3}{4}$ HP @ 125 VAC

1 $\frac{1}{2}$ HP @ 250 VAC

Pilot Duty: 125 VA @ 24/120/480 VAC

360 VA @ 240VAC

CSA: 20 amps @ 125/250/277 VAC

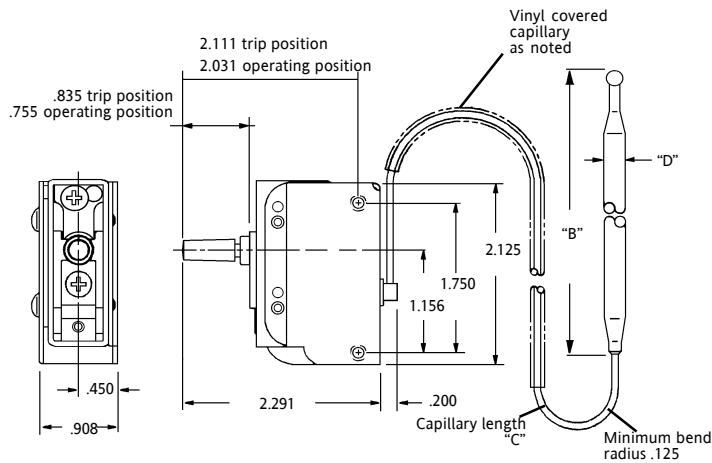
$\frac{3}{4}$ to 1 $\frac{1}{2}$ HP @ 125/250 VAC

Mounting: 8-32UNC threaded mounting holes on 1 $\frac{7}{8}$ " centers. Optional bracket with 6-32UNC threaded mounting holes on 2 $\frac{1}{8}$ " centers.

Termination: 8-32UNC threaded terminals with pan head phillips screws.

Max. Bulb Withstand: 215°F

Dimensions for the Standard C1-22RX Thermostat



			Inches	
	Trip Temperature	Bulb Length	Capillary Length	Bulb Diameter
Part Number	[F°]	["B"]	["C"]	["D"]
285-3275-00	118 +/- 4	3.00	24	0.322
275-3287-00	118 +/- 4	4.15	12	0.260
275-3288-00	118 +/- 4	4.15	36	0.260
275-3289-00	118 +/- 4	4.15	36	0.260
275-3290-00	118 +/- 4	3.00	18	0.322
275-3291-00	118 +/- 4	4.15	6	0.260

Limited Warranty

Invensys warrants that product will be free from defects in material and workmanship for a period of twenty-four (24) months from the date of manufacture.

This warranty is in lieu of all other warranties expressed or implied, including without limitation those of merchantability and fitness for a particular purpose or application.

In the event of a breach of warranty, Invensys' obligation is limited to the repair or exchange of the Invensys product. This does not include reimbursement for any removal or installation expenses.

Invensys' liability under this warranty shall not exceed the cost of the product. Upon expiration of the warranty, Invensys shall have no further liability.

Invensys reserves the right to add or delete products, and to change the design, dimensions, and/or specifications shown here at any time without notice.

This product must be applied in compliance with all relevant testing agency, local, state and federal codes. Should the heating element have the capability of exceeding safe operating temperatures, always utilize a high temperature limiting device to avoid the risk of personal injury and/or property damage.

All applications which use one or more of these products should be verified to be operating at safe temperatures and within limitations prior to being placed in service. These products can not be altered, recalibrated, and/or repaired after leaving Invensys' factory.