

BJWA Gas Thermostat



Design Features

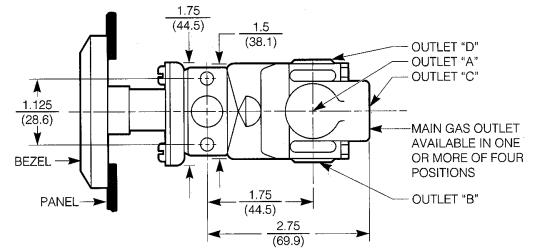
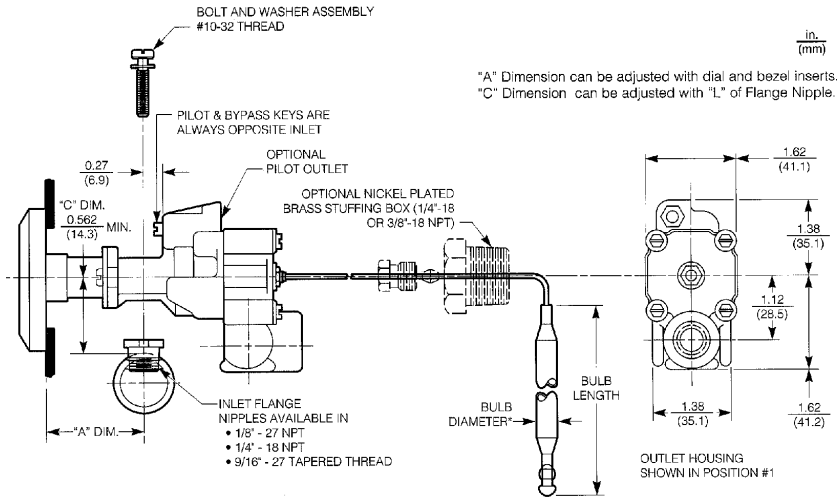
- Highly adaptable because of multiple orientation and number of outlets
- Mounted, via flange nipple, above or below the manifold
- Available with various temperature ranges
- Front adjustment for pilot and by-pass
- Modulating seat action
- Variety of applications from griddles to ovens to fryers
- Bulb and capillary available in copper, nickel plated copper, and nickel plated steel (nickel plated steel most common)

The BJWA control is a combination gas cock and by-pass type thermostat. It is available with both by-pass and pilot adjustments. With the BJWA the gas is turned on, and the temperature setting made, with a single turn of the dial.

The BJWA is available for a wide variety of applications. Typical applications are ranges and griddles.

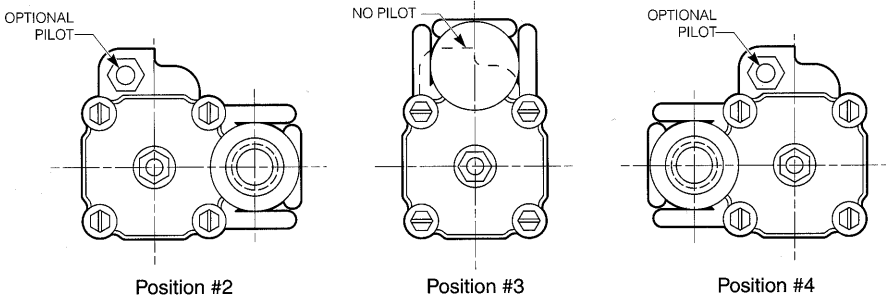
Specifications

- Ambient temperature:
32°F (0°C) to 350°F (177°C)
- Maximum inlet pressure: 0.5 PSI
- Capacity (Natural Gas):
to 70,000 BTU/HR
- Agency Certification Numbers:
AGA/CGA T2765005
British Gas plc EC Product
Identification No.: C87AR12

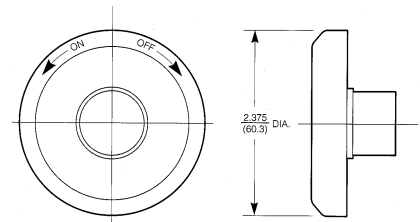


*AVAILABLE BULB DIAMETERS			
Inches	0.187**	0.250	0.312 0.375
(mm)	(4.8)	(6.4)	(7.9) (9.5)
**0.187 inch diameter bulb is most common.			
AVAILABLE CAPILLARY LENGTHS			
24 to 120 in 12" increments			
(609.6 to 3048 in 304.8mm increments)			

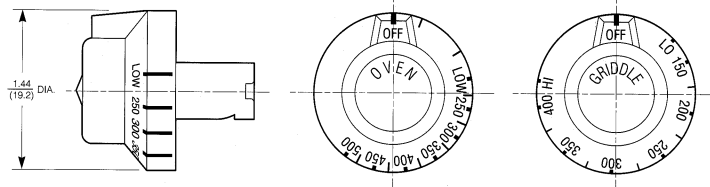
Outlet Housing Positions



Bezel Subassemblies



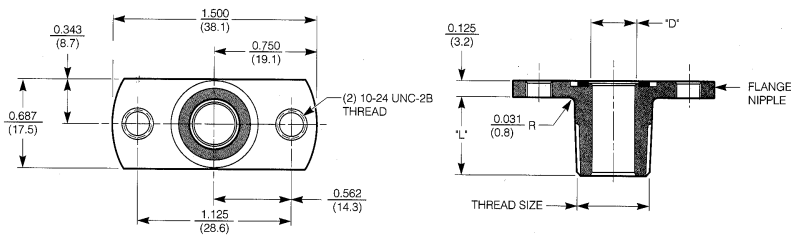
Dial Subassemblies



Drawing No.	"D" Dim.	"L" Dim.	Thread size
Z558130700	0.250	0.365	1/8"-27 NPT
Z558131200	0.312	0.365	9/16"-27 Taper Thd.
Z558131400	0.250	0.468	1/8"-27 NPT
Z558132200	0.312	0.468	1/4"-18 NPT
Z558131800	0.312	0.468	9/16"-27 Taper Thd.
Z558131300	0.250	0.593	1/8"-27 NPT
Z558131100	0.312	0.593	1/4"-18 NPT
Z558130900	0.312	0.593	9/16"-27 Taper Thd.

Contact Invensys for other dial layouts.

Inlet Flange Nipples



Application Responsibility
 Invensys Appliance Controls, as supplier, will comply with those agreed to drawing requirements and specifications that define this product. Suitability for any specific application is the responsibility of the purchaser.

Information subject to change without notice.