

Model B1-B2 Series Line Voltage In-Built Thermostats

B-1



Invensys offers two models of in-built thermostats, the single pole B1 and the double pole B2. Both feature snap-action switching for instant positive response. The B1 and B2 are typically used in wall and space heating units.

These bimetal sensing thermostats instantly and accurately detect temperature changes to assure even and consistent heating. The bimetal is protected by a metal housing to guard against accidental damage. Factory sealed and calibrated, field adjustments are not required.

The shaft is available in varying lengths per customer specifications.

B-2



Model Types

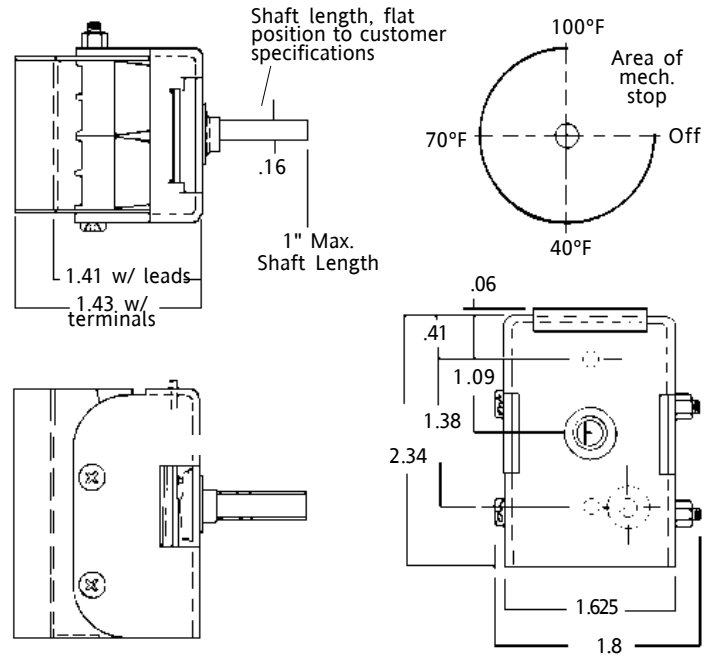
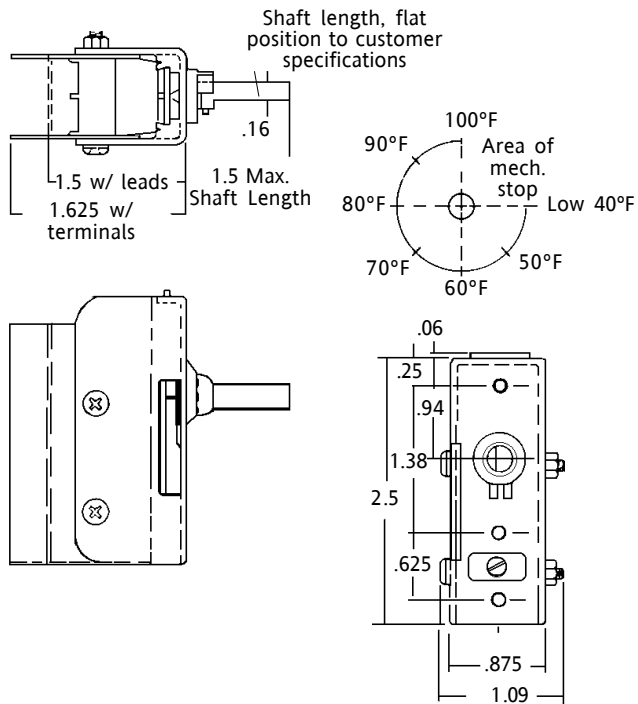
- B1 Single Pole
- B2 Double Pole, breaks both sides of the line
- B2-M Controls 2 circuits of 22 amps each with approximately 1 $\frac{1}{2}$ degree separation between circuits
- B2-S Controls 2 circuits of 22 amps each, both switches calibrated to operate simultaneously

Specifications

- Electrical rating of 22 amps at 125, 250 volts A/C
- Operating range of 40° to 100°F; other calibrations are available

Model B2

Model B1



Information subject to change without notice.

7/99

Application Information

This product must be applied:

- within the limitation guidelines defined by Invensys,
- in compliance with all applicable Testing Agency, Local, State and Federal Codes.

It is the buyer's responsibility to qualify the product selected for the application. Invensys assumes no liabilities as to the suitability or capabilities of the product in the final application. All applications utilizing one or more of these products should be verified to be operating at safe limitations prior to being placed in service. These products can not be altered, recalibrated and/or repaired after leaving Invensys factory.

Dimensions and specifications may be changed without notice.