



Appliance Controls

Aquastop Systems



The Invensys Appliance Controls aquastop system ensure full flood protection in mains water supply for appliances such as clothes washers, dryers, dishwashers and similar applications.

The Invensys Appliance Controls aquastops are available in two basic versions, with one valve or two valves hydraulically in series.

The aquastop system is fully water proofed according to the most strict safety requirements.

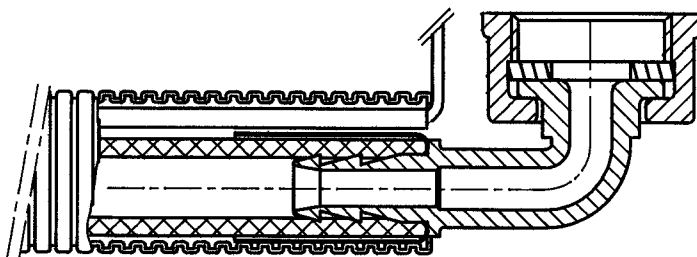
The system may also be complemented by the addition of an additional pressure hose which, when connected to a pressure sensor, ensures appliance deactivation in the event of a hose leak.

Specifications

- Water connections
Inlet: thread 3/4" gas (metal nut)
Outlet: thread 3/4" gas (other type on request)
- Electrical connection - Terminal type 6,35 x 0,8 mm (other type on request)
- Supply Voltage - 110/120 V or 220/240 V AC
50/60 Hz
- Duty Cycles -
Amb. Temp. 55°C
Water Temp. 25°C, 100% ED
Amb. Temp. 25°C
Water Temp. 90°C
AB 3/5 min

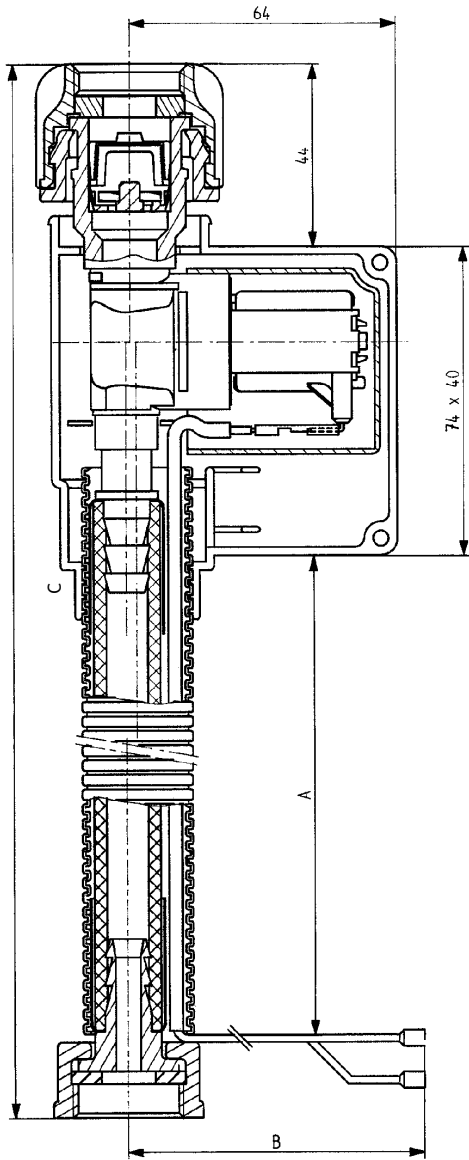
Design Features

- Models - Simple and double aquastop
1 outlet
- Power - 4 or 6 Watts
- Insulation - Class F <140°C
- Inlet pressure - 0,2 to 10 bar
- Flow rate - According to requirement;
available between 4 and 17 L/min.
- Complies with and approved by all
Certification Authorities worldwide.



Standard outlet 3/4 GAZ (BSP)
90° or 180° other possibilities
available upon request

Aquastop Simple



Aquastop Double

