

## Appliance Water Valve



The Invensys Appliance Controls water valve is designed to provide for the user precise water flow control. The valve body is constructed of shock resistant plastic with a zinc/chrome plated steel mounting bracket. The valve is available in two flow angles, 90° and 180°.

Typical applications for the solenoid operated valve are clothes washers, dishwashers, ice makers and water fountains.

### Design Features

- Shock resistant plastic body
- Operating temperature  
50° C, 122° F continuous
- 90° and 180° (angle) Models
- 3/4" NPSH - 11 1/2 threads per inch
- 3/4" BSPP - 14 threads per inch
- Zinc / chrome plated steel mounting bracket
- Application specific flow reducer
- Polypropylene encapsulated solenoid coil
- 4 mounting positions  
(90° increments)
- Operating Pressures  
Maximum 145 psi (10 bar)  
Minimum 2.9 psi (0.2 bar)

### Specifications

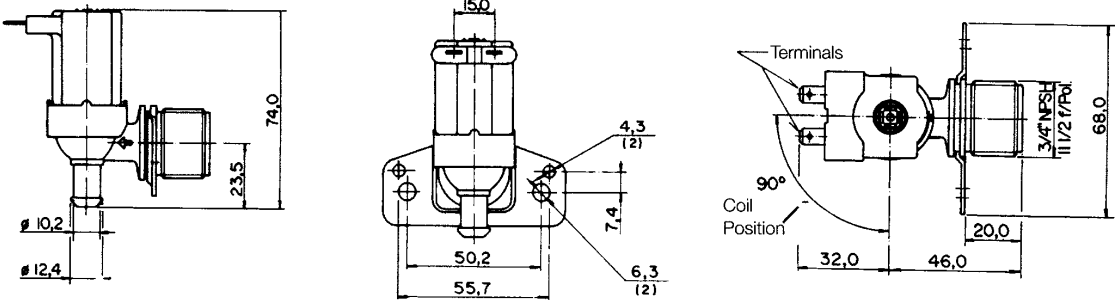
- 127 and 240 VAC at 50/50 Hz
- Voltage tolerance +10% maximum  
-15% minimum
- Color coded solenoids

Voltage (V)	Power (W)	Frequency (HZ)	Color
127	7	50/60	Yellow
220	7	50/60	Black
230	7	50/60	Black

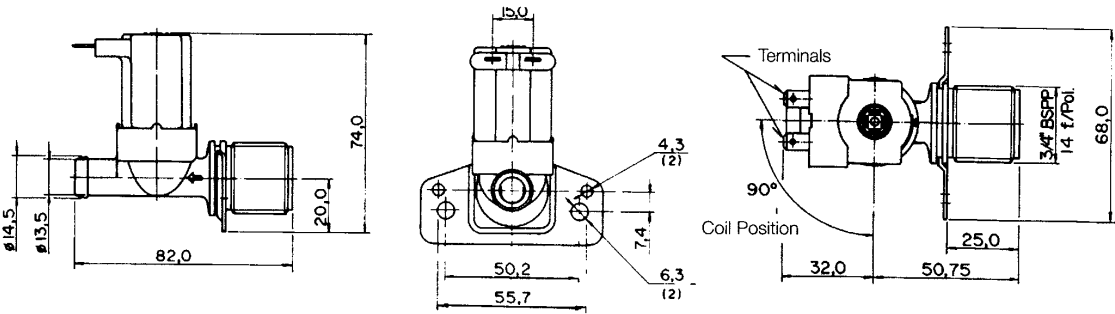
Voltage Tolerance (V): • Maximum: +10% • Minimum: -15%

**Dimensions in mm**

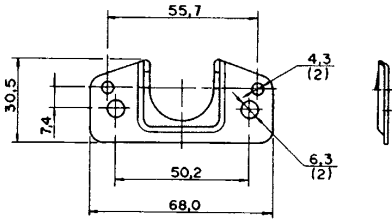
**Model 90°**



**Model 180°**



**Mounting Bracket**



**Flow vs. Pressure**

