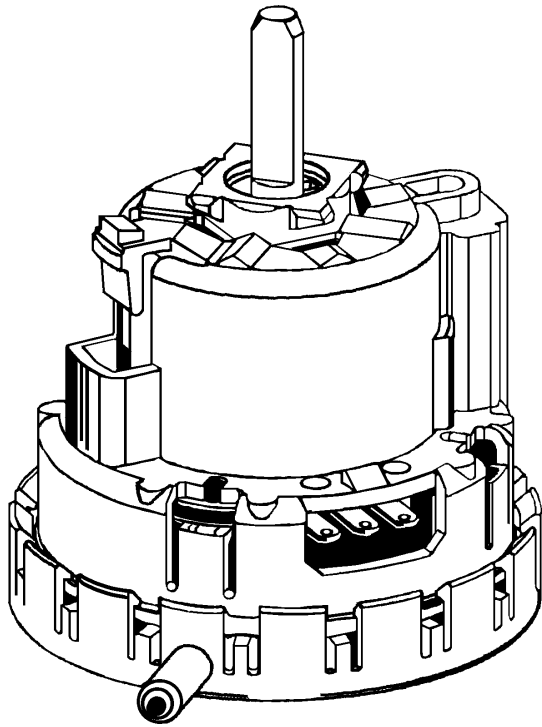




Model 740 Pressure Switch



Invensys offers the new Model 740 Pressure Switch, used in a clothes washer to control the water level.

This new switch offers more features and improved quality through a unique design for which three patents have been issued to date, and one more is pending.

On the outside, a flatter profile allows a reduced console depth and facilitates the new slim line washing machine designs. Twist-lock mounting reduces installation time and eliminates the need for fasteners.

A single latching connector makes the three motor connections all at once. This feature reduces labor as well as preventing miswiring and field problems associated with the connector backing out.

On the inside, the cam area is enclosed, which prevents wires from getting caught in the cam and eliminates wire-routing issues.

Altogether, the parts count is 20% less than previous models. Electrical life is improved, and is typically around ten times the requirement. The Model 740 Pressure Switch is UL and CSA approved.

Specifications

- Terminals: 1/8" Quick Connect
- Calibration Range: Trip Point 4-20" WC
Proportional Reset
- Electrical Ratings: 120 / 240 VAC 60 Hz
12 Amp, 1/2 HP

Dimensions

